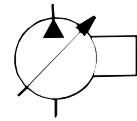
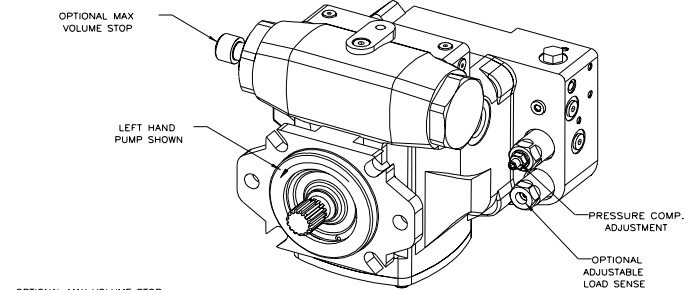
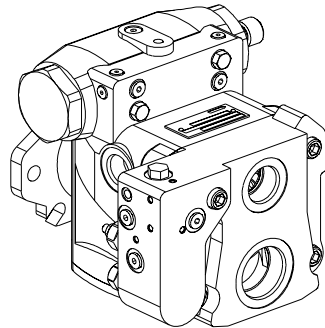


"B" FRAME



Installation Drawing

Rear Ported (SAE)



OPTIONAL MAX VOLUME STOP
1/2" [12.7mm] INTERNAL HEX
1 TURN CW DECREASES FLOW 10%

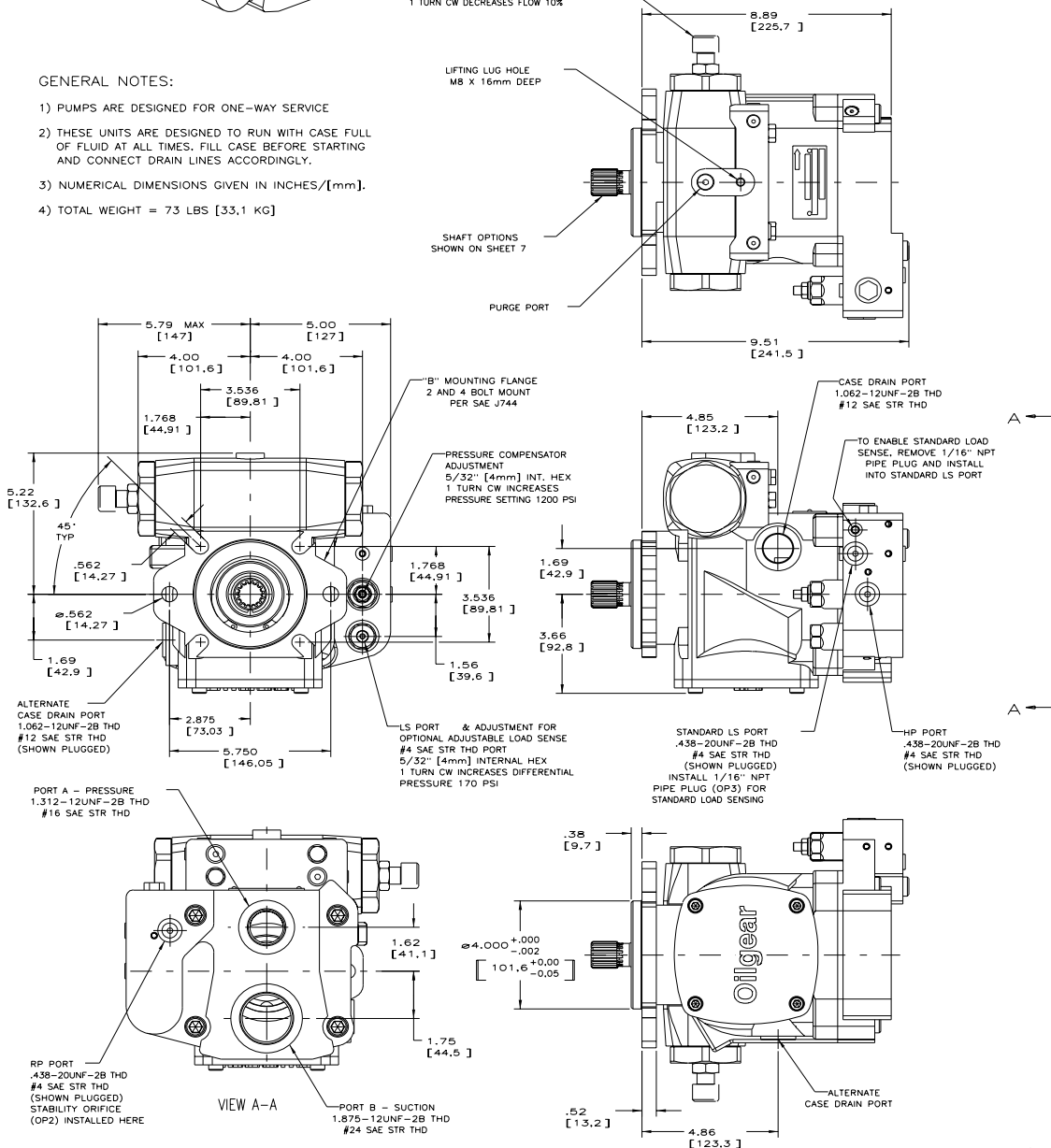
LIFTING LUG HOLE
M8 X 16mm DEEP

SHAFT OPTIONS
SHOWN ON SHEET 7

PURGE PORT

GENERAL NOTES:

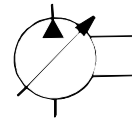
- 1) PUMPS ARE DESIGNED FOR ONE-WAY SERVICE
- 2) THESE UNITS ARE DESIGNED TO RUN WITH CASE FULL OF FLUID AT ALL TIMES. FILL CASE BEFORE STARTING AND CONNECT DRAIN LINES ACCORDINGLY.
- 3) NUMERICAL DIMENSIONS GIVEN IN INCHES/[mm].
- 4) TOTAL WEIGHT = 73 LBS [33.1 KG]



NOTE: DIMENSIONS SHOWN IN [] ARE IN MILLIMETERS

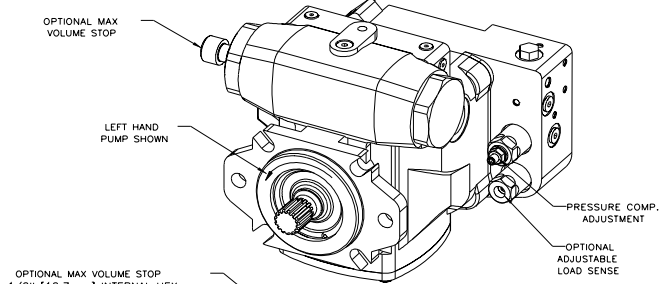
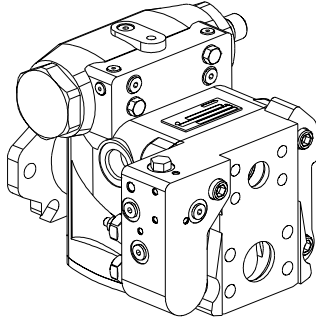
519343-201 sh. 1

"B" FRAME



Inatallation Drawing

Rear Ported (Flanged)



OPTIONAL MAX VOLUME STOP
1/2" [12.7mm] INTERNAL HEX
1 TURN CW DECREASES FLOW 10%

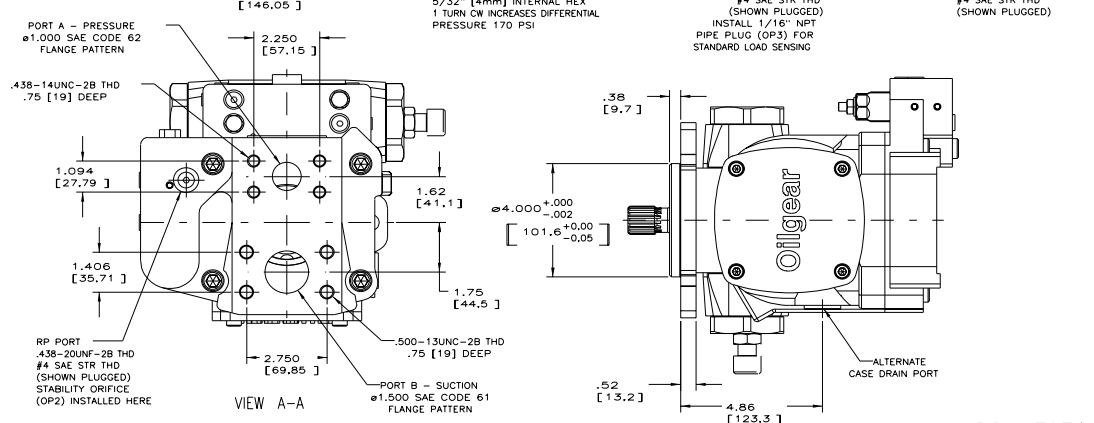
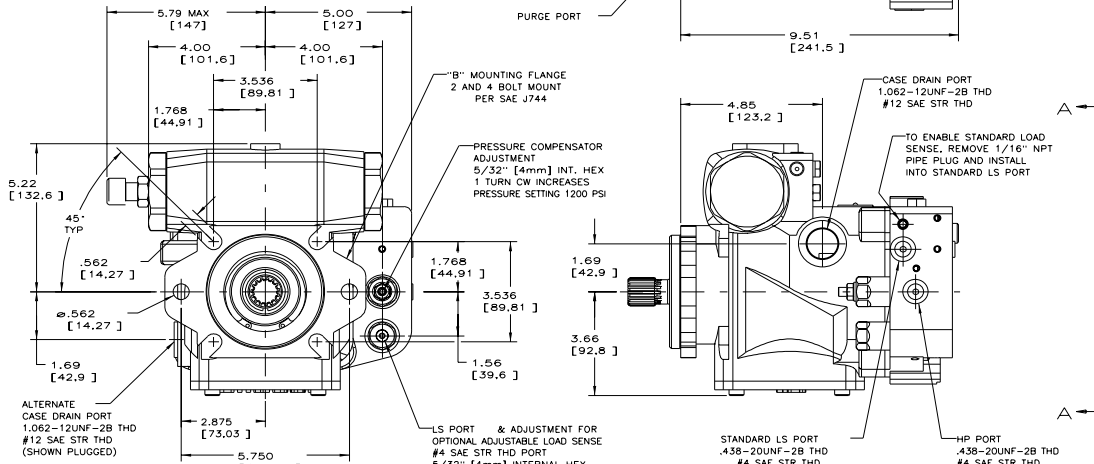
LIFTING LUG HOLE
M8 X 16mm DEEP

SHAFT OPTIONS
SHOWN ON SHEET 7

PURGE PORT

GENERAL NOTES:

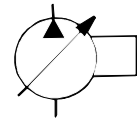
- 1) PUMPS ARE DESIGNED FOR ONE-WAY SERVICE
- 2) THESE UNITS ARE DESIGNED TO RUN WITH CASE FULL OF FLUID AT ALL TIMES. FILL CASE BEFORE STARTING AND CONNECT DRAIN LINES ACCORDINGLY.
- 3) NUMERICAL DIMENSIONS GIVEN IN INCHES/[mm].
- 4) TOTAL WEIGHT = 73 LBS (33,1 KG)



519343-201 Sh. 2

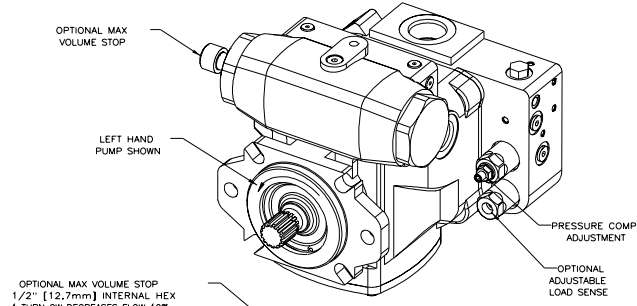
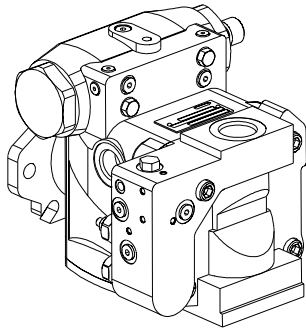
NOTE: DIMENSIONS SHOWN IN [] ARE IN MILLIMETERS

"B" FRAME



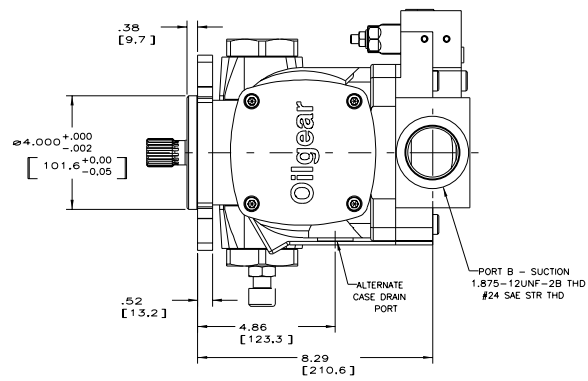
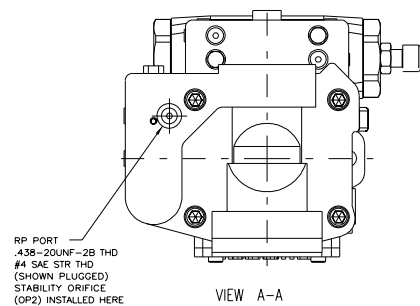
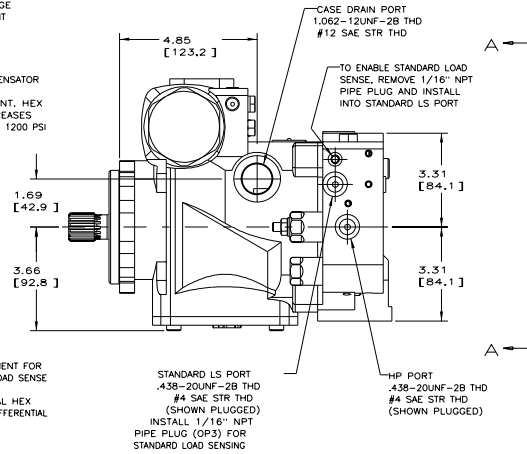
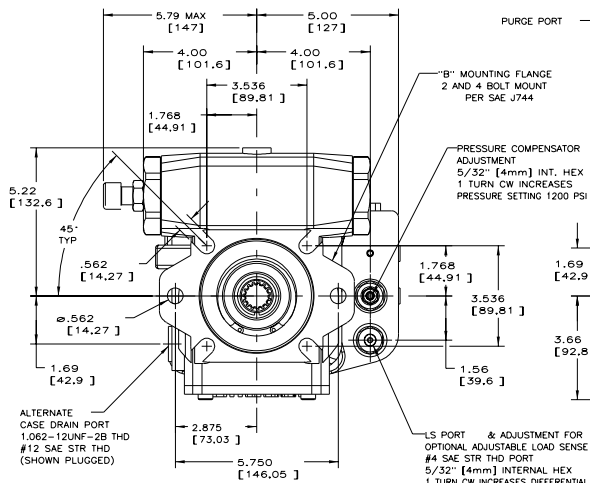
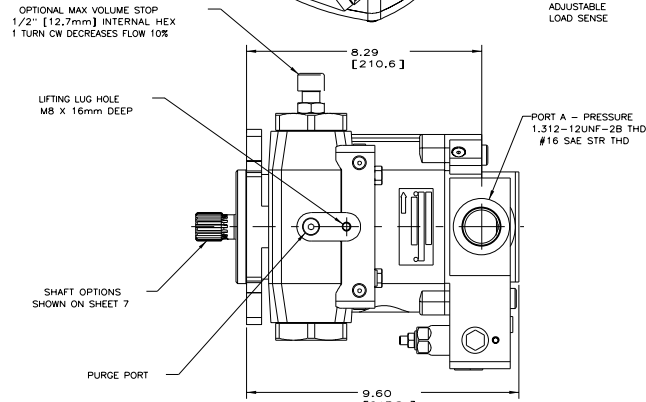
Installation Drawing

Side Ported (SAE)



GENERAL NOTES:

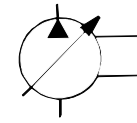
- 1) PUMPS ARE DESIGNED FOR ONE-WAY SERVICE
- 2) THESE UNITS ARE DESIGNED TO RUN WITH CASE FULL OF FLUID AT ALL TIMES. FILL CASE BEFORE STARTING AND CONNECT DRAIN LINES ACCORDINGLY.
- 3) NUMERICAL DIMENSIONS GIVEN IN INCHES/[mm].
- 4) TOTAL WEIGHT = 73 LBS [33,1 KG]



NOTE: DIMENSIONS SHOWN IN [] ARE IN MILLIMETERS

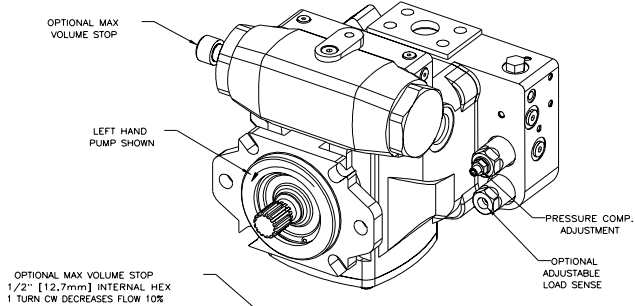
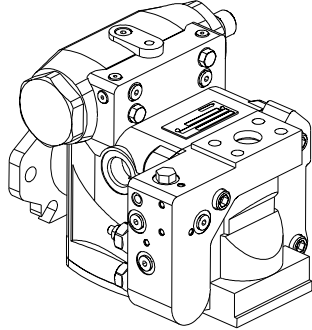
519343-201 sh. 3

"B" FRAME



Installation Drawing

Side Ported (Flanged)



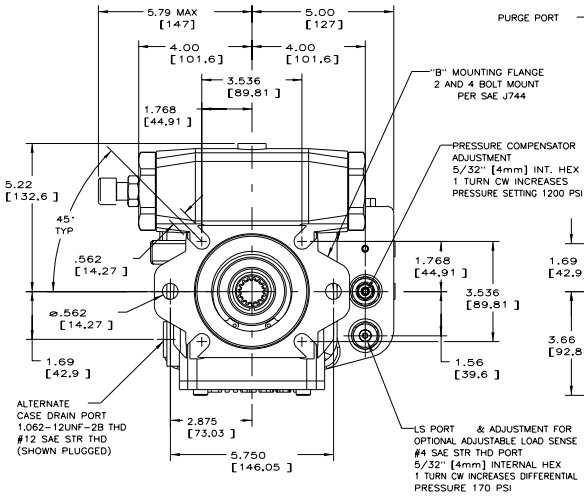
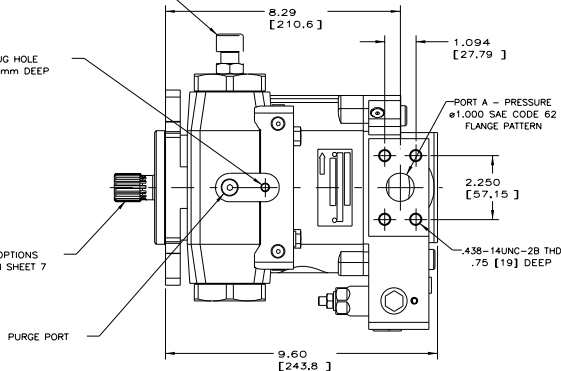
OPTIONAL MAX VOLUME STOP
1/2" [12.7mm] INTERNAL HEX
1 TURN CW DECREASES FLOW 10%

GENERAL NOTES:

- 1) PUMPS ARE DESIGNED FOR ONE-WAY SERVICE
- 2) THESE UNITS ARE DESIGNED TO RUN WITH CASE FULL OF FLUID AT ALL TIMES. FILL CASE BEFORE STARTING AND CONNECT DRAIN LINES ACCORDINGLY.
- 3) NUMERICAL DIMENSIONS GIVEN IN INCHES/[mm].
- 4) TOTAL WEIGHT = 73 LBS (33,1 KG)

LIFTING LUG HOLE
M8 x 16mm DEEP

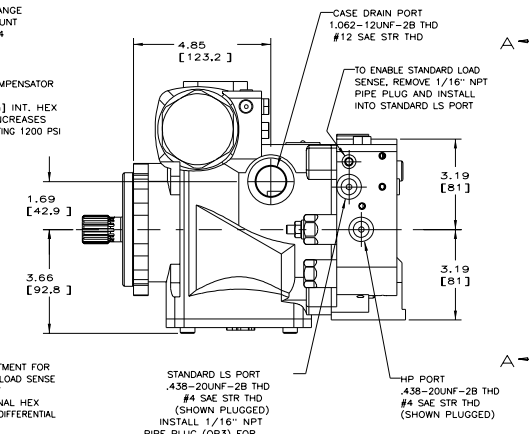
SHAFT OPTIONS
SHOWN ON SHEET 7



"B" MOUNTING FLANGE
2 AND 4 BOLT MOUNT
PER SAE J744

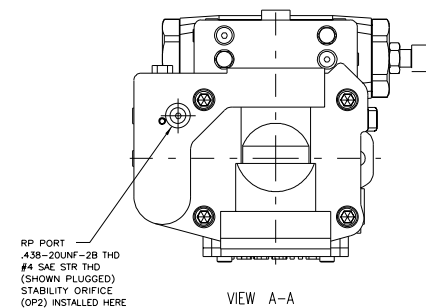
PRESSURE COMPENSATOR
ADJUSTMENT
5/32" [4mm] INT. HEX
1 TURN CW INCREASES
PRESSURE SETTING 1200 PSI

LS PORT #4 SAE STR THD PORT
& ADJUSTMENT FOR
OPTIONAL ADJUSTABLE LOAD SENSE
5/32" [4mm] INTERNAL HEX
1 TURN CW INCREASES DIFFERENTIAL
PRESSURE 170 PSI

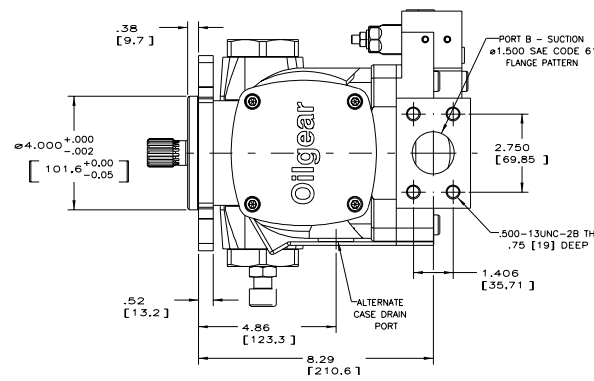


STANDARD LS PORT
4.38-20UNF-2B THD
#4 SAE STR THD
(SHOWN PLUGGED)
INSTALL 1/16" NPT
PIPE PLUG (OP3) FOR
STANDARD LOAD SENSING

HP PORT
4.38-20UNF-2B THD
#4 SAE STR THD
(SHOWN PLUGGED)

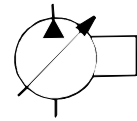


VIEW A-A



519343-201 Sh. 4

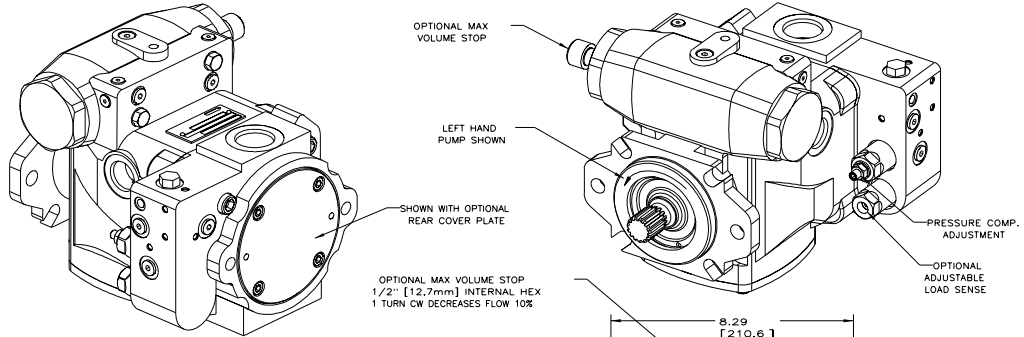
NOTE: DIMENSIONS SHOWN IN [] ARE IN MILLIMETERS



"B" FRAME

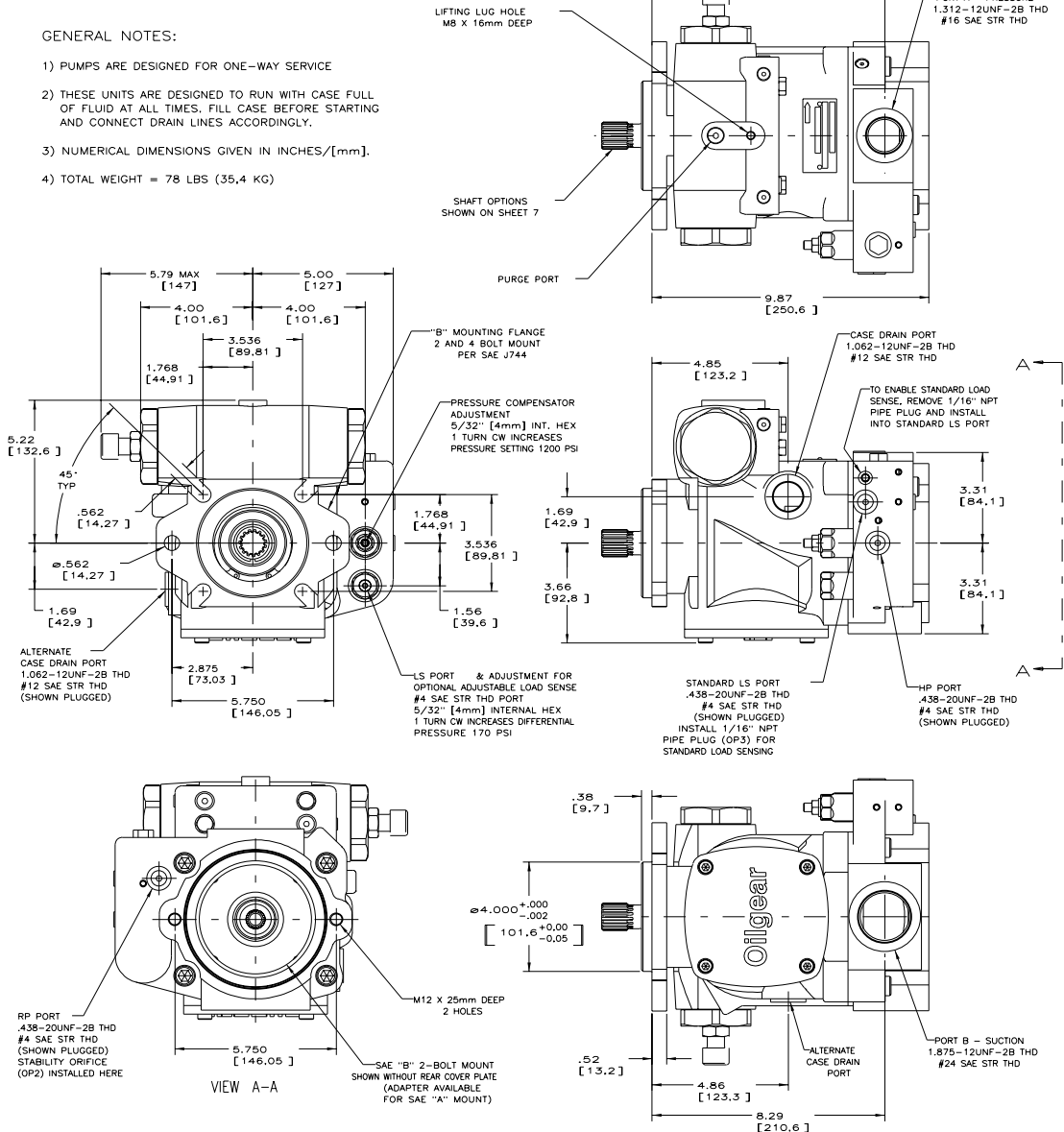
Installation Drawing

Thru-Shaft (SAE) Ported



GENERAL NOTES:

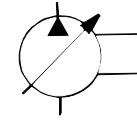
- 1) PUMPS ARE DESIGNED FOR ONE-WAY SERVICE
- 2) THESE UNITS ARE DESIGNED TO RUN WITH CASE FULL OF FLUID AT ALL TIMES. FILL CASE BEFORE STARTING AND CONNECT DRAIN LINES ACCORDINGLY.
- 3) NUMERICAL DIMENSIONS GIVEN IN INCHES/[mm].
- 4) TOTAL WEIGHT = 78 LBS (35.4 KG)



519343-201 sh. 5

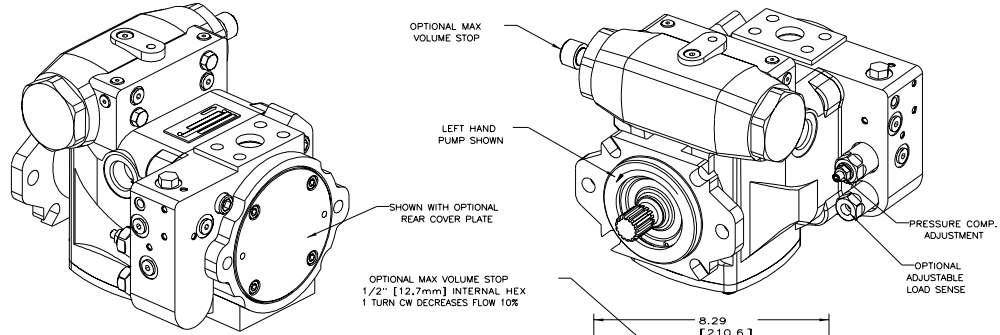
NOTE: DIMENSIONS SHOWN IN [] ARE IN MILLIMETERS

"B" FRAME



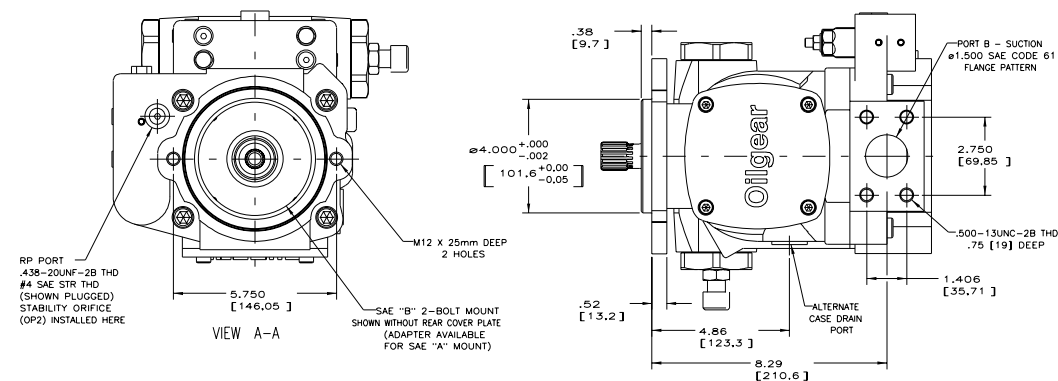
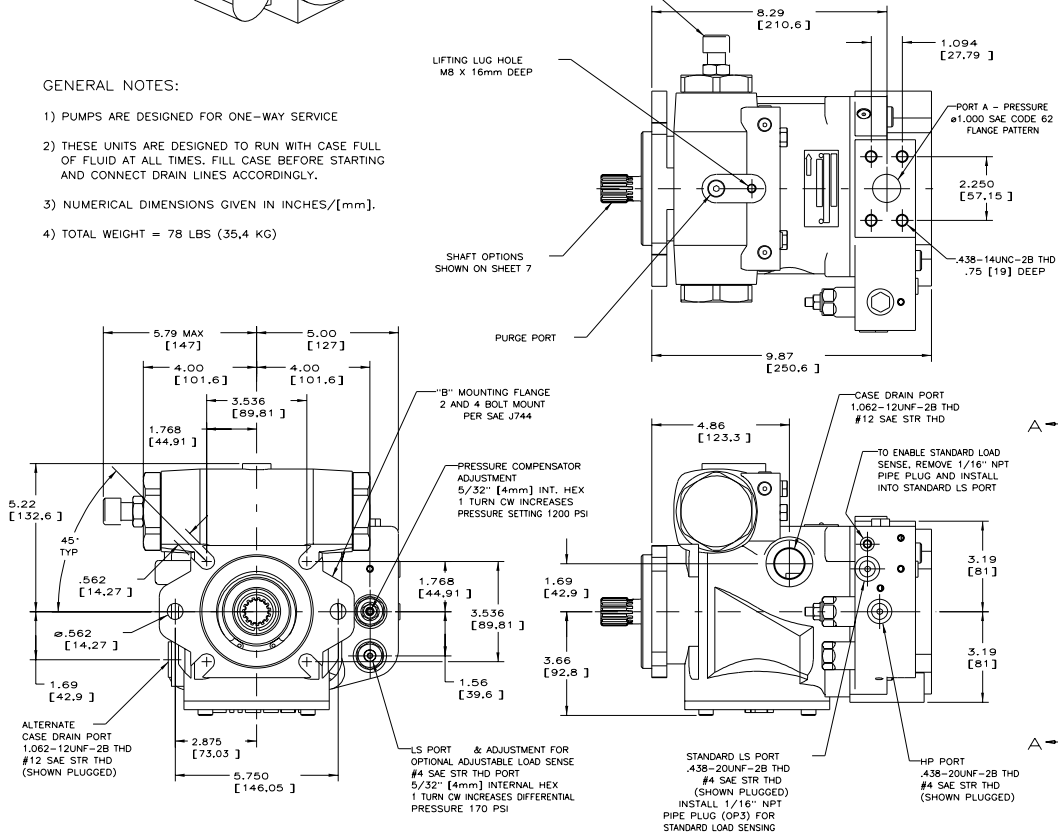
Installation Drawing

Thru Shaft (Flanged) Ported



GENERAL NOTES:

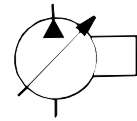
- 1) PUMPS ARE DESIGNED FOR ONE-WAY SERVICE
- 2) THESE UNITS ARE DESIGNED TO RUN WITH CASE FULL OF FLUID AT ALL TIMES. FILL CASE BEFORE STARTING AND CONNECT DRAIN LINES ACCORDINGLY.
- 3) NUMERICAL DIMENSIONS GIVEN IN INCHES/[mm].
- 4) TOTAL WEIGHT = 78 LBS (35,4 KG)



NOTE: DIMENSIONS SHOWN IN [] ARE IN MILLIMETERS

519343-201 sh. 6

"B" FRAME

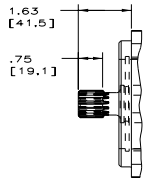


Installation Drawing

Shaft & Control Options

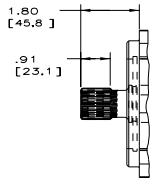
SHAFT OPTIONS

SAE "B"
SPLINE SHAFT



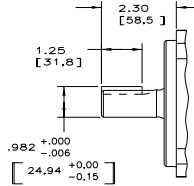
VIEW SHOWING
SPLINE SHAFT
SAE INVOLUTE SPLINE
13 TEETH, 16/32 PITCH
.859 [21.82] MAJOR DIA.

SAE "B-B"
SPLINE SHAFT



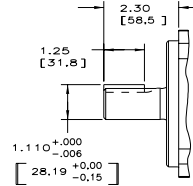
VIEW SHOWING
SPLINE SHAFT
SAE INVOLUTE SPLINE
15 TEETH, 16/32 PITCH
.984 (24.99) MAJOR DIA.

SAE "B"
KEYED SHAFT



VIEW SHOWING
KEYED SHAFT
ø .874 ± .001 [22.20 ± 0.03]
W/.250 [6.35] SQ. KEY

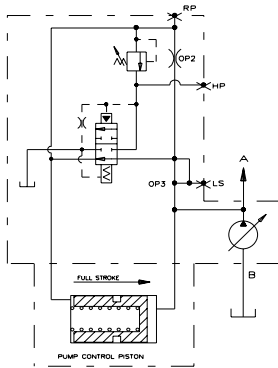
SAE "B-B"
KEYED SHAFT



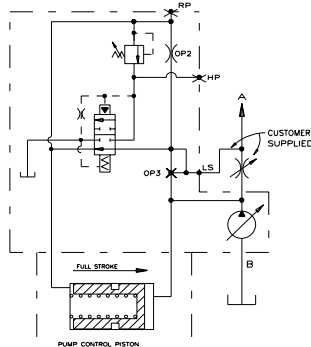
VIEW SHOWING
KEYED SHAFT
ø .999 ± .001 [25.37 ± 0.03]
W/.250 [6.35] SQ. KEY

PUMP CONTROL OPTIONS

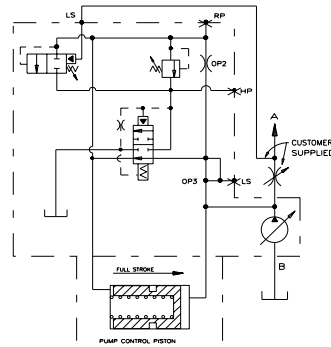
PRESSURE COMPENSATOR



STANDARD LOAD SENSE W/
PRESSURE COMPENSATOR OVERRIDE

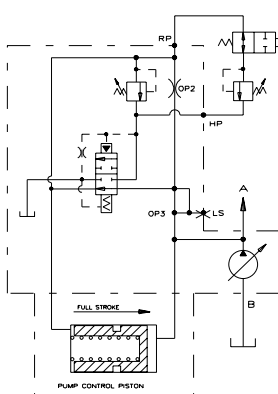


ADJUSTABLE LOAD SENSE W/
PRESSURE COMPENSATOR OVERRIDE

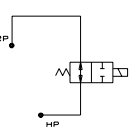


REMOTE PRESSURE CONTROL OPTIONS

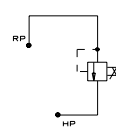
MULTIPLE PRESSURE
COMPENSATOR CONTROL



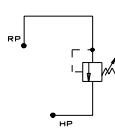
PRESSURE COMPENSATOR
UNLOADING CONTROL



PROPORTIONAL PRESSURE
COMPENSATOR CONTROL



REMOTE PRESSURE
COMPENSATOR CONTROL



519343-201 sh. 7

NOTE: DIMENSIONS SHOWN IN [] ARE IN MILLIMETERS