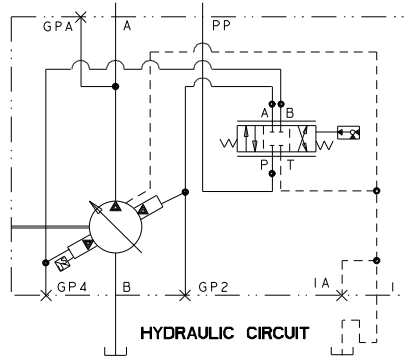
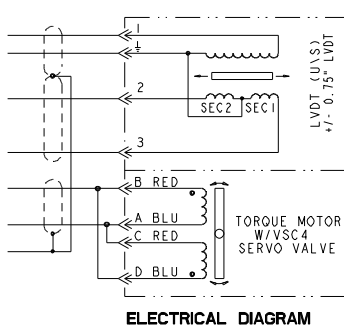


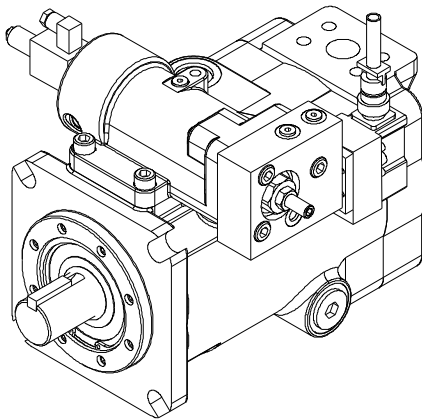
### INSTALLATION DRAWING

### Servo Valve Control



**NOTES:**

1. PUMPS DESIGNED FOR ONE-WAY SERVICE AND ARE DIMENSIONED AS SHOWN.
2. THESE UNITS ARE DESIGNED TO RUN CASE FULL OF FLUID AT ALL TIMES. FILL CASE BEFORE STARTING AND CONNECT DRAIN LINES ACCORDINGLY.
3. NUMERICAL DIMENSIONS GIVEN IN INCHES/[MM].
4. NET WEIGHT- 177 LBS [80 KG] FOR VERSION SHOWN  
190 LBS [86 KG] FOR THRU SHAFT VERSION.



PURGE PORT  
#4 SAE STR THD PORT  
(.438-20UNF-2B THD.)  
(PLUGGED)

LIFTING HOLE  
.375-16UNC-2B

