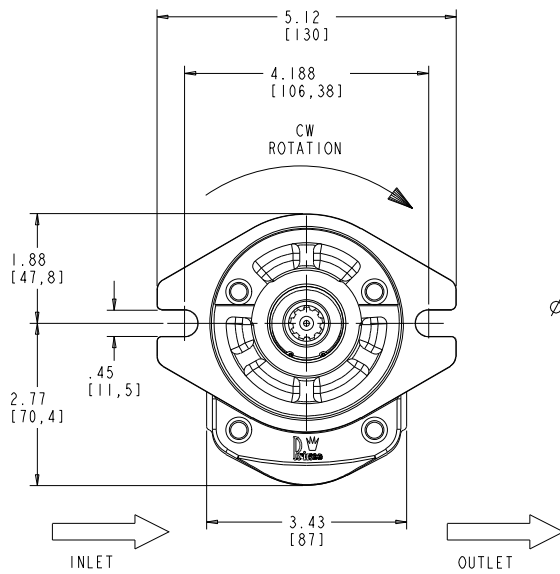
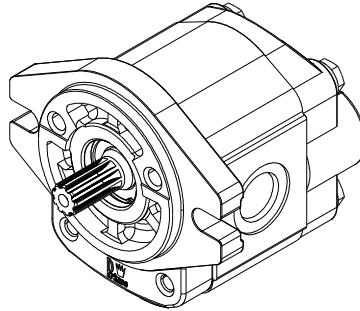
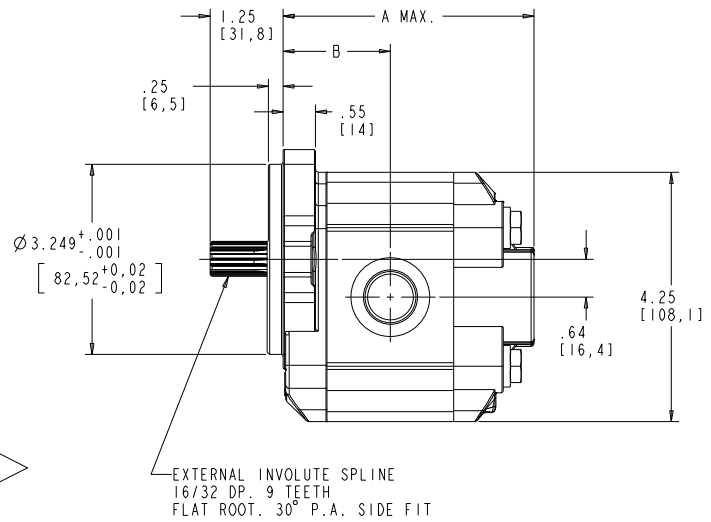


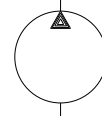
INSTALLATION DRAWING



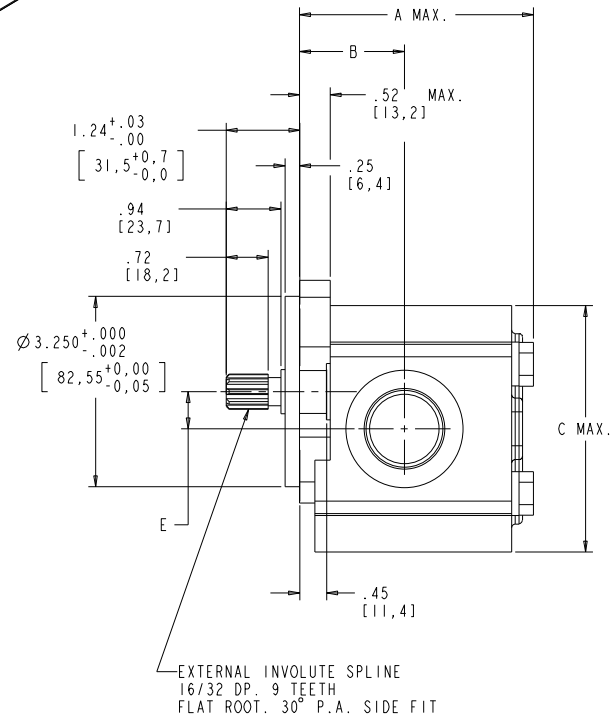
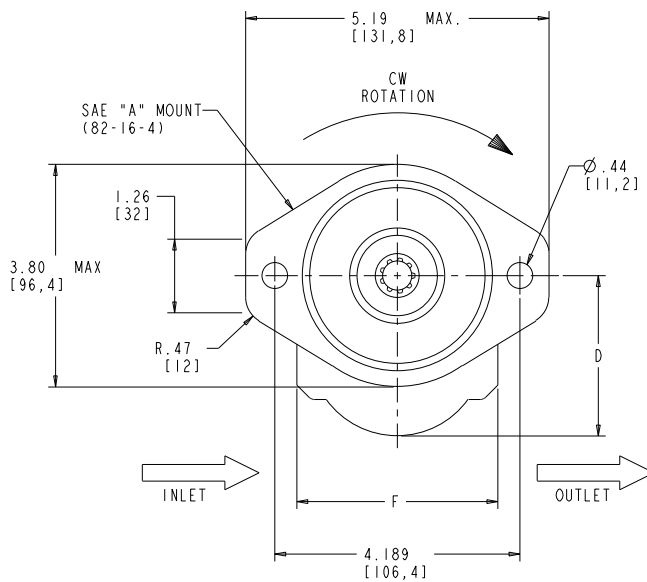
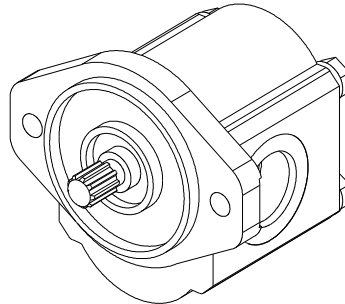
(FOR COUNTERCLOCKWISE ROTATION,
INLET AND OUTLET ARE REVERSED.)



PUMP	DISPLACEMENT		A (MAX.)	B	INLET PORT (SAE)	OUTLET PORT (SAE)	RATED PRESSURE PSI [BAR]	MAX RPM	APPROX. WEIGHT
	CC/REV	IN ³ /REV							LBS [KG.]
05	8	0.499	4.30 [109,2]	1.83 [46,5]	1-1/16-12 (#12)	7/8-14 (#10)	3000 [207]	4000	5.1 [2,3]
07	11	0.677	4.46 [113,3]	1.91 [48,5]	1-1/16-12 (#12)	7/8-14 (#10)	3000 [207]	4000	5.5 [2,5]
10	16	0.976	4.71 [119,6]	2.04 [51,8]	1-1/16-12 (#12)	7/8-14 (#10)	3000 [207]	4000	6.0 [2,7]
14	23	1.403	5.09 [129,3]	2.23 [56,6]	1-5/16-12 (#16)	1-1/16-12 (#12)	2500 [172]	3500	6.4 [2,9]
20	33	2.014	5.62 [142,7]	2.49 [63,2]	1-5/8-12 (#20)	1-5/16-12 (#16)	2500 [172]	3500	7.6 [3,4]



INSTALLATION DRAWING



(FOR COUNTERCLOCKWISE ROTATION, INLET AND OUTLET ARE REVERSED.)

DIMENSIONS $\frac{\text{INCHES}}{\text{MM}}$

PUMP	DISPLACEMENT (cm ³) (in ³)		A (max.)	B (to port centerline)	C (max.)	D	E	F	PORT SIZE (S.A.E. STRAIGHT THD.)		PRESSURE RATING PORCENT. psi [bar]	RPM	APPROX. WT. lbs. [kg.]
									INLET	OUTLET			
05	8	0.49	3.74 [95,0]	1.79 [45,5]	4.21 [107,0]	2.74 [69,5]	0.63 [16,0]	3.44 [87,4]	1-1/16-12 (#12)	7/8-14 (#10)	2500 [172]	3000	8.1 [3,7]
07	11	0.67	3.91 [99,4]	1.87 [47,7]	4.21 [107,0]	2.74 [69,5]	0.63 [16,0]	3.44 [87,4]	1-1/16-12 (#12)	7/8-14 (#10)	2500 [172]	3000	8.4 [3,8]
10	16	0.98	4.20 [106,8]	2.02 [51,4]	4.21 [107,0]	2.74 [69,5]	0.63 [16,0]	3.44 [87,4]	1-1/16-12 (#12)	7/8-14 (#10)	2500 [172]	2400	9.0 [4,1]
14	23	1.4	4.61 [117,2]	2.23 [56,6]	4.21 [107,0]	2.74 [69,5]	0.63 [16,0]	3.44 [87,4]	1-5/16-12 (#16)	1-1/16-12 (#12)	2000 [138]	2400	9.6 [4,4]
20	33	2.01	6.56 [161,6]	3.80 [96,6]	5.30 [134,6]	3.45 [87,6]	0.80 [20,3]	4.33 [110,0]	1-5/8-12 (#20)	1-5/16-12 (#16)	1500 [103]	2400	20.1 [9,1]