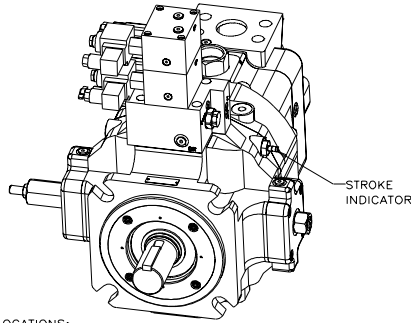


Installation Drawing

Triple Pressure Compensator Controls

PVV-200/250-BIU PUMP (SHOWN)
 PVV-200/250-B1S PUMP
 WITH P-3_ CONTROL (SHOWN)
 AND P-E_ CONTROL

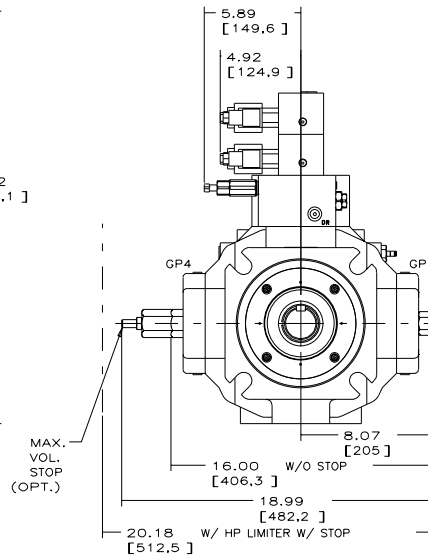
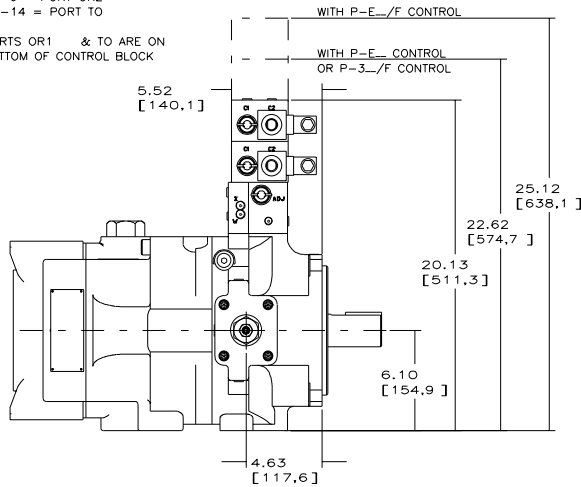


- NOTES:
1. PUMPS DESIGNED FOR ONE-WAY SERVICE ARE DIMENSIONED AS SHOWN.
 2. THESE UNITS ARE DESIGNED TO RUN CASE FULL OF FLUID AT ALL TIMES. FILL CASE BEFORE STARTING AND CONNECT DRAIN LINES ACCORDINGLY.
 3. NUMERICAL DIMENSIONS ARE GIVEN IN INCHES/[MM].
 4. NET WEIGHT: P-3_ CONTROL
 415 LBS (188 KG) SIDE PORTED (SHOWN)
 390 LBS (177 KG) REAR PORTED
 P-E_ CONTROL
 425 LBS (193 KG) SIDE PORTED
 400 LBS (181 KG) REAR PORTED

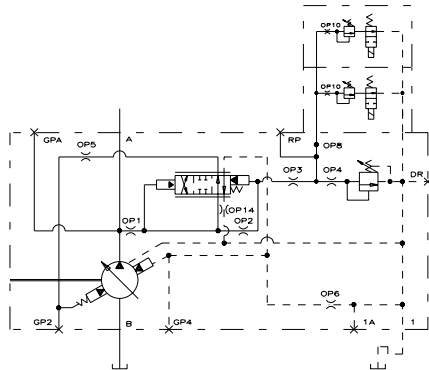
 W/ HP LIMITER ADD 20 LBS (9 KG)
 W/ LOAD SENSE ADD 10 LBS (4.5 KG)
 5. FOR BASIC PUMP DIMENSIONS SEE: DS-47939
 6. LEFTHAND (CCW) VERSION IS SHOWN. FOR RIGHTHAND (CW) VERSION, THE CONTROL CAPS AND VOLUME STOPS WILL BE ON THE OPPOSITE SIDES, ASSUMING THAT THE OUTLET IS ON THE TOP.

ORIFICE LOCATIONS:
 OP-1 & OP-2 = PORT OR1
 OP-3 & OP-4 = IN 4-WAY VALVE
 OP-5 = PORT BO
 OP-6 = PORT OR2
 OP-14 = PORT TO

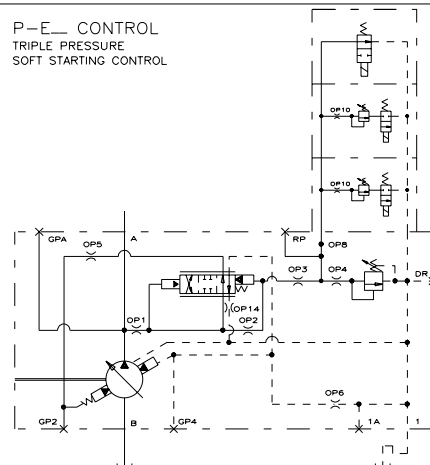
PORTS OR1 & TO ARE ON BOTTOM OF CONTROL BLOCK



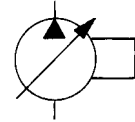
P-3_ CONTROL
 TRIPLE PRESSURE
 COMPENSATOR CONTROL



P-E_ CONTROL
 TRIPLE PRESSURE
 SOFT STARTING CONTROL



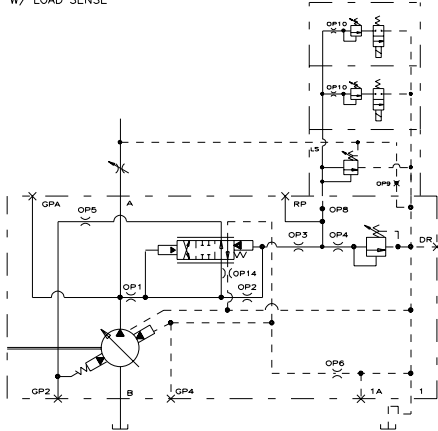
519103-006 Sp11



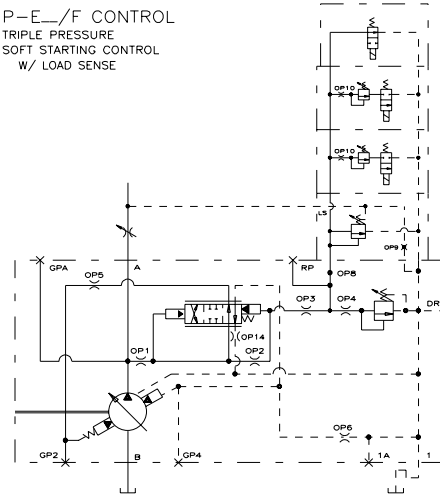
Circuits

Triple Pressure Compensator Controls

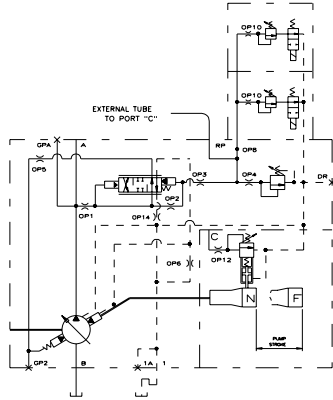
P-3_/F CONTROL
 TRIPLE PRESSURE
 COMPENSATOR CONTROL
 W/ LOAD SENSE



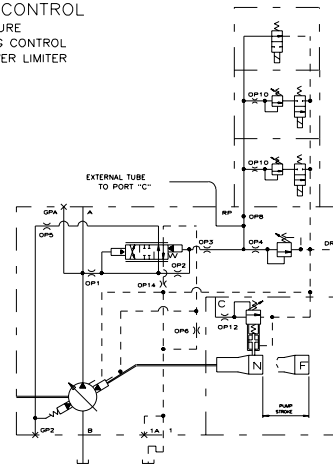
P-E_/F CONTROL
 TRIPLE PRESSURE
 SOFT STARTING CONTROL
 W/ LOAD SENSE



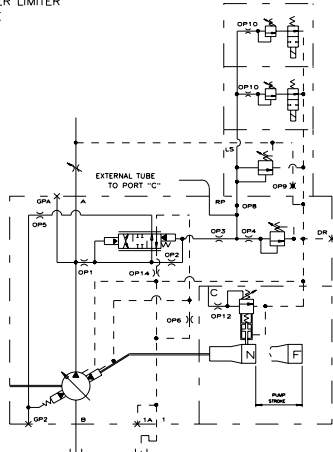
P-3_/H CONTROL
 TRIPLE PRESSURE
 COMPENSATOR CONTROL
 W/ HORSEPOWER LIMITER



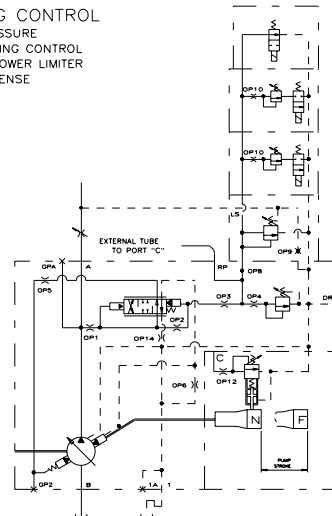
P-E_/H CONTROL
 TRIPLE PRESSURE
 SOFT STARTING CONTROL
 W/ HORSEPOWER LIMITER



P-3_/G CONTROL
 TRIPLE PRESSURE
 COMPENSATOR CONTROL
 W/ HORSEPOWER LIMITER
 & LOAD SENSE



P-E_/G CONTROL
 TRIPLE PRESSURE
 SOFT STARTING CONTROL
 W/ HORSEPOWER LIMITER
 & LOAD SENSE



519103-006 SH-8