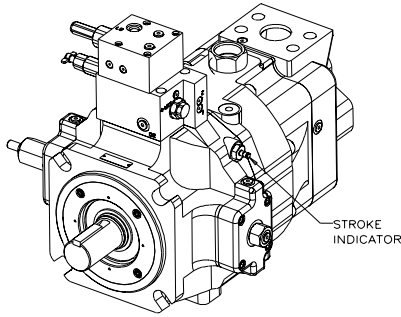


Installation Drawing Single Pressure Compensator or Soft Start Control w/Horsepower Limit

PVV-200/250-BIU PUMP (SHOWN)
PVV-200/250-B1S PUMP
WITH P-1NN/F CONTROL (SHOWN)
AND P-C-/F CONTROL



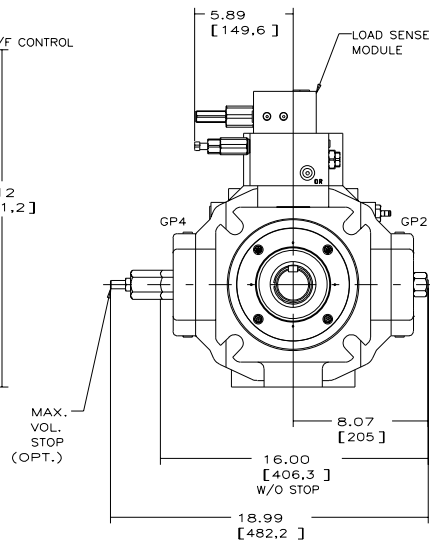
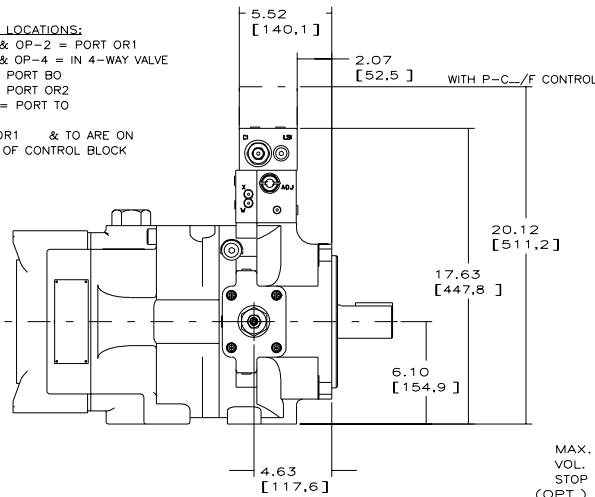
NOTES:

1. PUMPS DESIGNED FOR ONE-WAY SERVICE ARE DIMENSIONED AS SHOWN.
2. THESE UNITS ARE DESIGNED TO RUN CASE FULL OF FLUID AT ALL TIMES. FILL CASE BEFORE STARTING AND CONNECT DRAIN LINES ACCORDINGLY.
3. NUMERICAL DIMENSIONS ARE GIVEN IN INCHES/[MM].
4. NET WEIGHT: P-1NN/F CONTROL
405 LBS (184 KG) SIDE PORTED (SHOWN)
380 LBS (172 KG) REAR PORTED
P-C-/F CONTROL
415 LBS (188 KG) SIDE PORTED
390 LBS (177 KG) REAR PORTED
5. FOR BASIC PUMP DIMENSIONS SEE: DS-47939
6. LEFTHAND (CCW) VERSION IS SHOWN. FOR RIGHTHAND (CW) VERSION, THE CONTROL CAPS AND VOLUME STOPS WILL BE ON THE OPPOSITE SIDES, ASSUMING THAT THE OUTLET IS ON THE TOP.

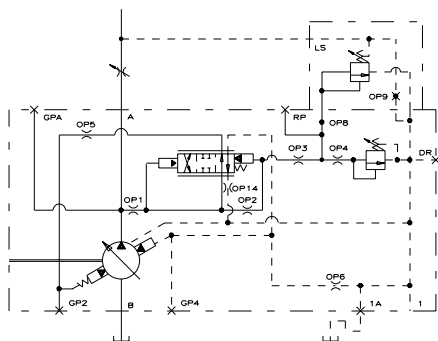
ORIFICE LOCATIONS:

- OP-1 & OP-2 = PORT OR1
- OP-3 & OP-4 = IN 4-WAY VALVE
- OP-5 = PORT BO
- OP-6 = PORT OR2
- OP-14 = PORT TO

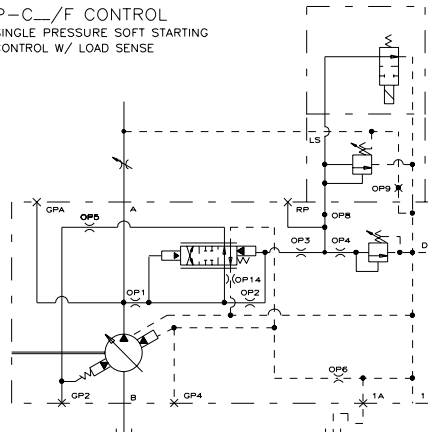
PORTS OR1 & TO ARE ON BOTTOM OF CONTROL BLOCK



P-1NN/F CONTROL
SINGLE PRESSURE COMPENSATOR CONTROL
W/ LOAD SENSE



P-C-/F CONTROL
SINGLE PRESSURE SOFT STARTING
CONTROL W/ LOAD SENSE



519103-006 OPT1