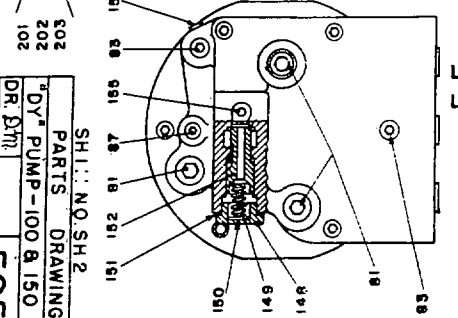
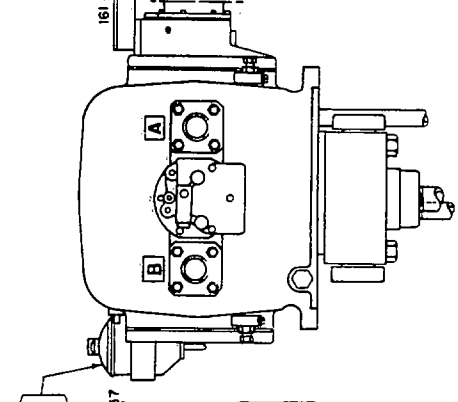
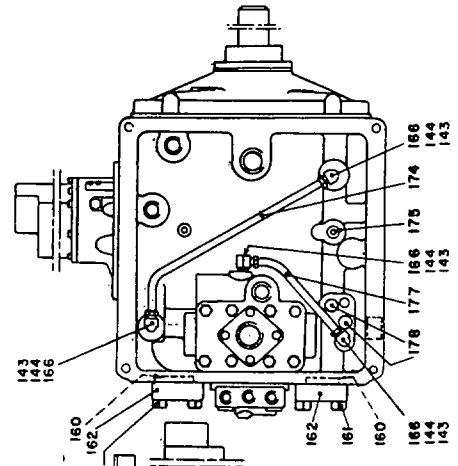
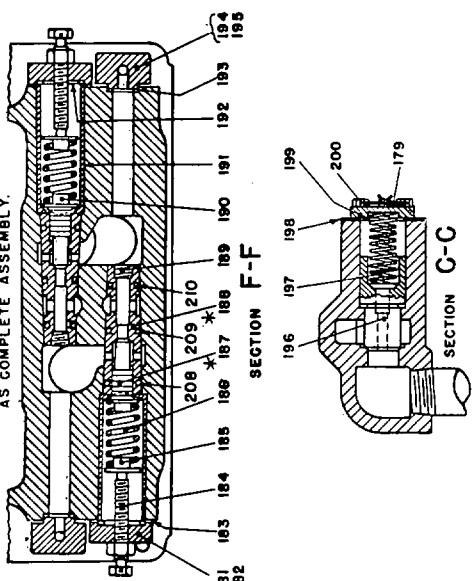
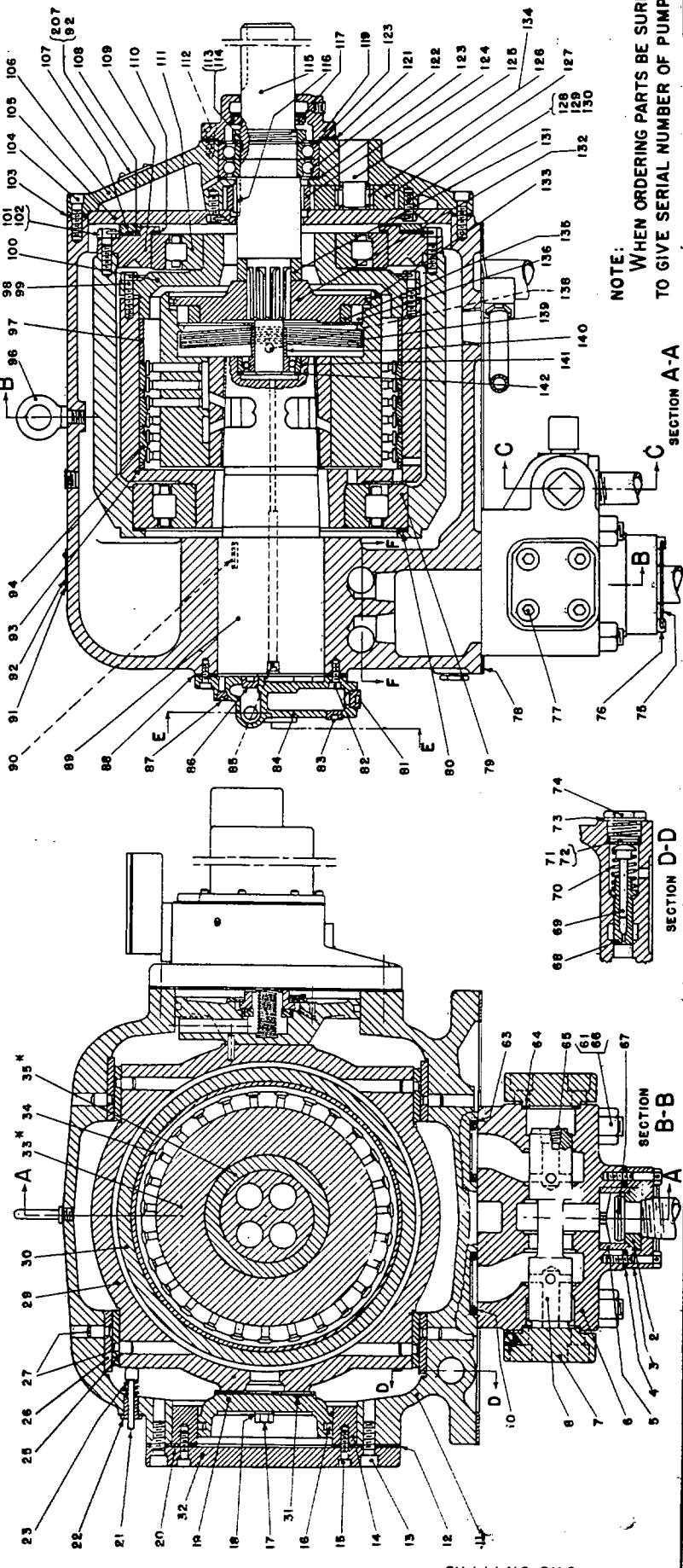


OILGEAR TYPE DY-100 AND DY-150 PUMPS

* ITEMS 187 & 188 ARE FURNISHED ONLY AS COMPLETE ASSEMBLY.



* ITEMS 33 & 35 ARE FURNISHED ONLY AS COMPLETE ASSEMBLY.



NOTE:
 WHEN ORDERING PARTS BE SURE TO GIVE SERIAL NUMBER OF PUMP.

59558
 APP. E. A.
 DR. 5/17/56
 SH. 1 : NO. SH. 2
 PARTS DRAWING
 DY PUMP - 100 & 150 H. P.

ISSUED 5/26/56

THE OILGEAR COMPANY
 MILWAUKEE 4, WISCONSIN, U.S.A.

SH. 1 : NO. SH. 2
DS-947701

PARTS LIST

OILGEAR TYPE "DY-100" AND "DY-150" PUMPS

NO.	PARTS	NO.	PARTS	NO.	PARTS
2.	Seat, check valve	82.	Screw, sock. hd. cap	136.	Roller, coupling
3.	Flange, suction	83.	Plug, pipe	138.	Ball, flat spring
4.	Gasket, suction flange	84.	Cover, pintle	139.	Spring, flat
5.	Cage, check valve	85.	Plug, choke	140.	Yoke, flat spring
6.	Body, suction valve	86.	Plug, pipe	141.	Bearing, rear drive shaft
7.	Flange, suction valve	87.	Plug, pipe	142.	Shim, rear drive shaft bearing
8.	Plunger, suction valve	88.	Gasket, pintle cover	143.	Sleeve, ermeto
10.	Packing, "0"-ring	89.	Pintle	144.	Nut, ermeto
11.	Case, pump	90.	Key, pintle locating	148.	Cap, pintle cover R.V.
12.	Gasket, control cylinder cover	91.	Nameplate	149.	Spring, pintle cover R.V.
13.	Screw, sock. hd. cap	92.	Screw, drive	150.	Shim, pintle cover R.V.
14.	Adapter, control cylinder	93.	Ring, spacer	151.	Gasket, pintle cover R.V.
15.	Screw, sock. hd. cap	94.	Ring, thrust	152.	Plunger, pintle cover R.V.
16.	Ring, small control piston	96.	Eyebolt	155.	Plug, pipe
17.	Screw control piston	97.	Ring, spacer	157.	Plug, pipe
18.	Gasket, control piston screw	98.	Screw, rotor cover	160.	Gasket, flange
19.	Piston, small control	99.	Wire, lock	161.	Bolt, flange
20.	Gasket, adapter	100.	Cover, rotor	162.	Flange, pump
21.	Stem, indicator	101.	Screw, slide block cover	166.	Ell, ermeto
22.	Bushing, indicator	102.	Wire, lock	174.	Tube, G.P. pressure
23.	Spring, indicator	103.	Gasket, gear pump housing	175.	Plug, pipe
25.	Liner, slide block	104.	Screw, sock. hd. cap	177.	Tube, supercharge
26.	Liner, case	105.	Cover, gear pump	178.	Plug, pipe
27.	Dowel, liner	106.	Housing, gear pump	179.	Wire, lock
29.	Slide block	107.	Ring, slide block spacer	181.	Cap, H.P.R.V.
30.	Rotor	108.	Shim, slide block spacer	182.	Screw, sock. hd. cap
31.	Shim, small control piston	109.	Cover, slide block	183.	Gasket, H.P.R.V. cap
32.	Cover, control cylinder	110.	Shim, front rotor bearing	184.	Screw, H.P.R.V. adjusting
33.	Cylinder *	111.	Bearing, front rotor	185.	Seat, H.P.R.V. spring
34.	Piston	112.	Screw, sock. hd. cap	186.	Spring, H.P.R.V.
35.	Bushing, cylinder *	113.	Nut, bearing lock	187.	Plunger, H.P.R.V. *
61.	Nut, hex	114.	Washer, bearing lock	188.	Bushing, H.P.R.V. *
63.	Spacer, suction valve	115.	Shaft, drive	189.	Plug, pipe
64.	Gasket, suction valve flange	116.	Key, gear pump drive	190.	Seat, H.P.R.V. spring
65.	Plug, choke	117.	Seal, drive shaft oil	191.	Retainer, H.P.R.V. bushing
66.	Stud, valve body	119.	Housing, shaft seal	192.	Shim, H.P.R.V. cap
67.	Disc, check valve	121.	Gasket, seal housing	193.	Gasket, flange
68.	Plunger, G.P.R.V.	122.	Bearing, front shaft	194.	Flange, auxiliary
69.	Plunger, G.P.R.V. dashpot	123.	Shim, front shaft bearing	195.	Screw, sock. hd. cap
70.	Spring, G.P.R.V.	124.	Gear, G.P. driver	196.	Plunger, B.P.R.V.
71.	Spacer, G.P.R.V.	125.	Shaft, G.P. stub	197.	Spring, B.P.R.V.
72.	Shim, G.P.R.V.	126.	Bearing, G.P. needle	198.	Gasket, cap
73.	Gasket, G.P.R.V. cap	127.	Gear, G.P. driven	199.	Cap, B.P.R.V.
74.	Cap, G.P.R.V.	128.	Screw, G.P. cover	200.	Screw, B.P.R.V. cap
75.	Wire, lock	129.	Gasket, cover screw	201.	Filter, oil
76.	Screw, suction flange	130.	Wire, lock	202.	Valve, flow control
77.	Screw, sock. hd. cap	131.	Spacer, coupling	203.	Gage, filter
78.	Gasket, pump mounting	132.	Flange, coupling	207.	Plate, rotation direction
79.	Bearing, rear rotor	133.	Ring, piston	208.	Packing, "0"-ring
80.	Shim, rear rotor bearing	134.	Spacer, bearing	209.	Packing, "0"-ring
81.	Plug, pipe	135.	Ring, coupling	210.	Packing, "0"-ring

* Parts 33 and 35, and 187 and 188 furnished only as complete assemblies.

NOTE: When ordering parts be sure to give serial number of pump.

DS-947701

SH. NO. 1

NO. SH. 2