

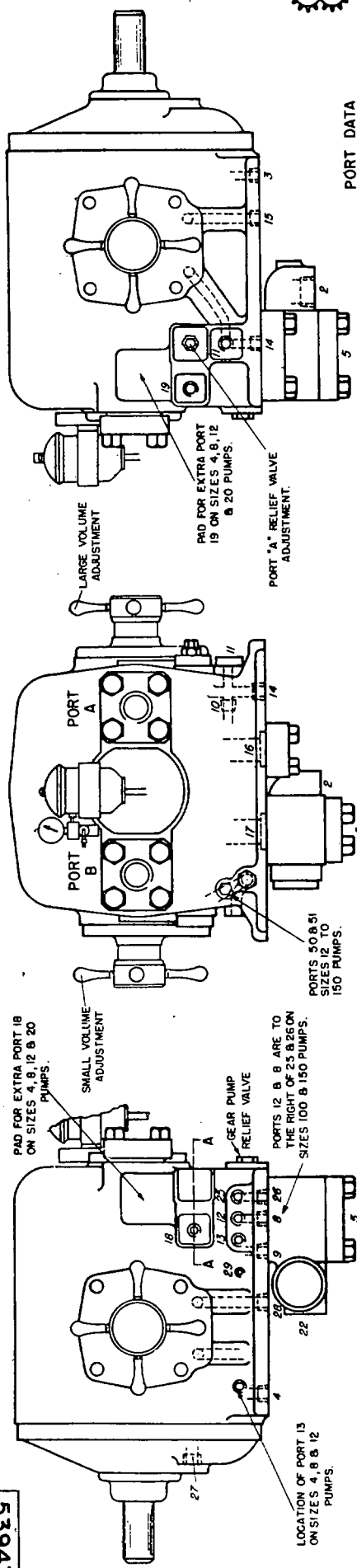
53947A

DR CES
APP

REISSUED JAN. 8, 1951

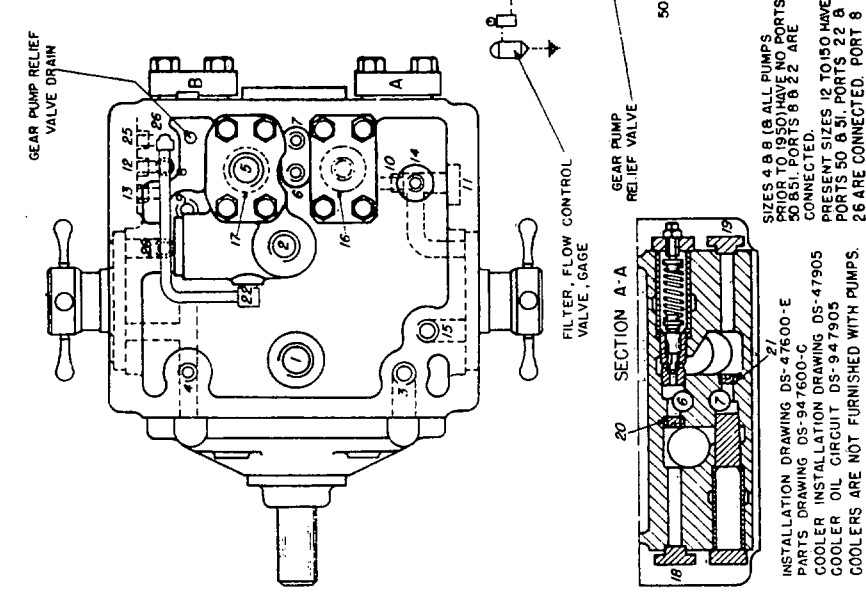
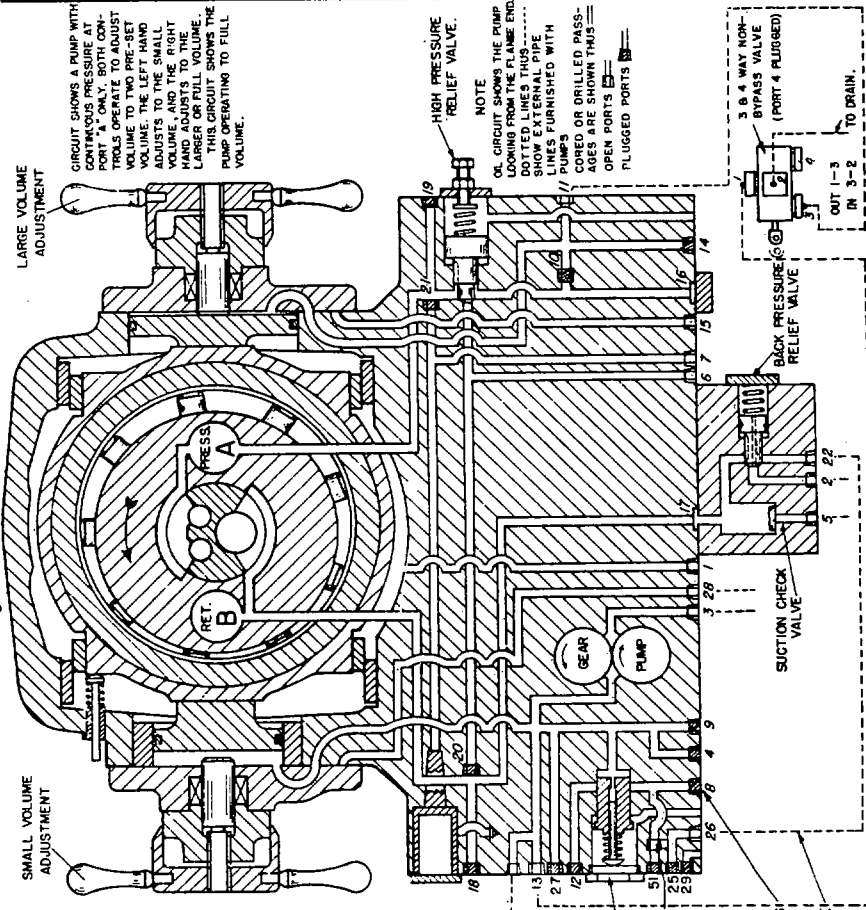
THE OILGEAR CO.

DS-947620-A



PORT DATA

PORT NO.	PUMP SIZE	4	8	12	20	35	60	100	150
1	HIGH PRESSURE CONN.	3/4	1	1 1/4	1 1/2	2	2 1/2	2 1/2	2 1/2
2	RETURN CONN.	3/4	1	1 1/4	1 1/2	2	2 1/2	2 1/2	2 1/2
3	CASE DRAIN	3/8	1/2	3/4	1/2	1	1 1/4	1 1/4	1 1/4
4	EXCESS RETURN EXHAUST	1/2	3/8	1/2	3/4	1	1 1/4	1 1/4	1 1/4
5	GEAR PUMP SUCTION	1/2	3/8	1/2	3/4	1	1 1/4	1 1/4	1 1/4
6	GEAR PUMP PRESSURE	3/8	1/2	3/4	1/2	1	1 1/4	1 1/4	1 1/4
7	PUMP SUCTION	3/8	1/2	3/4	1/2	1	1 1/4	1 1/4	1 1/4
8	'A' RELIEF VALVE EXHAUST	3/8	1/2	3/4	1/2	1	1 1/4	1 1/4	1 1/4
9	'B' RELIEF VALVE EXHAUST	3/8	1/2	3/4	1/2	1	1 1/4	1 1/4	1 1/4
10	'A' SIDE CONTROL EXHAUST	3/8	1/2	3/4	1/2	1	1 1/4	1 1/4	1 1/4
11	'B' SIDE CONTROL EXHAUST	3/8	1/2	3/4	1/2	1	1 1/4	1 1/4	1 1/4
12	'A' GEAR TO CONTROL CONN.	1/4	1/4	1/4	1/4	1/4	1/4	1/4	1/4
13	'A' GEAR TO CONTROL CONN.	3/8	3/8	3/8	3/8	3/8	3/8	3/8	3/8
14	'A' GEAR PUMP REL. VLV. EXH.	1/2	1/2	1/2	1/2	1/2	1/2	1/2	1/2
15	'A' GEAR PUMP REL. VLV. EXH.	1/2	1/2	1/2	1/2	1/2	1/2	1/2	1/2
16	'A' SIDE CONTROL CONN.	1/4	1/4	1/4	1/4	1/4	1/4	1/4	1/4
17	'A' SIDE CONTROL EXHAUST	3/8	3/8	3/8	3/8	3/8	3/8	3/8	3/8
18	'A' CORE SIZE	7/8	1 1/8	1 1/8	1 1/8	1 1/8	1 1/8	1 1/8	1 1/8
19	'B' CORE SIZE	7/8	1 1/8	1 1/8	1 1/8	1 1/8	1 1/8	1 1/8	1 1/8
20	'A' CORE CONNECTION	3/8	3/8	3/8	3/8	3/8	3/8	3/8	3/8
21	'A' CORE CONNECTION	3/8	3/8	3/8	3/8	3/8	3/8	3/8	3/8
22	'B' CORE CONNECTION	3/8	3/8	3/8	3/8	3/8	3/8	3/8	3/8
23	'B' REL. VLV. CROSS CONN.	1/4	1/4	1/4	1/4	1/4	1/4	1/4	1/4
24	'B' REL. VLV. CROSS CONN.	1/4	1/4	1/4	1/4	1/4	1/4	1/4	1/4
25	STANDARD SUPERCHARGE	3/8	3/8	3/8	3/8	3/8	3/8	3/8	3/8
26	AUXILIARY CONN.	1/2	1/2	1/2	1/2	1/2	1/2	1/2	1/2
27	AUXILIARY CONN.	3/8	3/8	3/8	3/8	3/8	3/8	3/8	3/8
28	GEAR PUMP PRESSURE	1/2	1/2	1/2	1/2	1/2	1/2	1/2	1/2
29	'B' SIDE CONTROL EXHAUST	3/8	3/8	3/8	3/8	3/8	3/8	3/8	3/8
50	OIL FILTER DRAIN	-	-	-	-	-	-	-	-
51	ACCESS PORT TO PORT 50	-	-	-	-	-	-	-	-



OILGEAR TYPE "DR" PUMP

* BLANK FLANGE UNLESS OTHERWISE SPECIFIED.

OUT 1-3 IN 3-2 TO DRAIN.

3 B 4 WAY NON-BYPASS VALVE (PORT 4 PLUGGED)

SIZES 4, 8 & 12 (B ALL PUMPS EXCEPT PORTS 8 & 12 ARE CONNECTED. PRESENT SIZES 12 TO 150 HAVE PORTS 50 & 51. PORTS 22 & 28 ARE CONNECTED. PORT 8 IS PLUGGED.

INSTALLATION DRAWING DS-47600-E
PARTS DRAWING DS-947600-C
COOLER INSTALLATION DRAWING DS-47905
COOLER OIL CIRCUIT DS-947905
COOLERS ARE NOT FURNISHED WITH PUMPS.