

OILGEAR TYPE "DMP" TWO-WAY VARIABLE DELIVERY PUMPS

SIZES 100-150



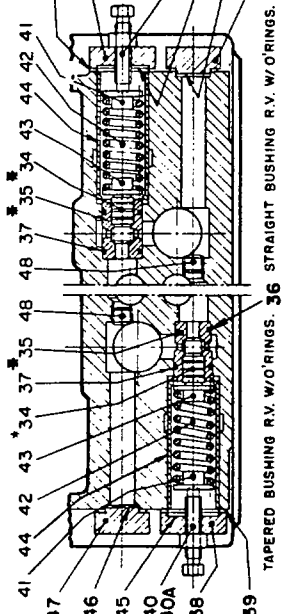
LITHO IN U.S.A. 503220

PARTS DRAWING	
TR.	503220
OILGEAR TYPE	PUMP
S.P.M.P.	P.W.O.

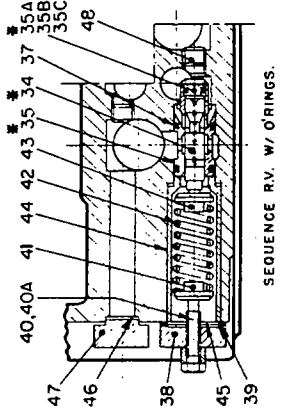
PUMP INSTALLATION DRAWING : DS-47285 -
COOLER INSTALLATION DRAWING : DS-47903
COOLER CIRCUIT DRAWING : DS-947906

NOTE: WHEN ORDERING PARTS, BE SURE TO
INCLUDE SERIAL NUMBER, PART NUMBER
AND DATA SHEET NUMBER. SPECIFY TYPE
HYDRAULIC FLUID FOR O-RING AND SEALS.

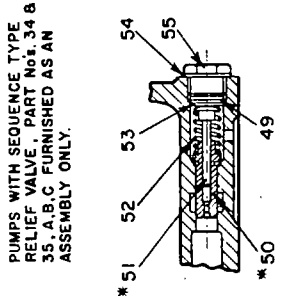
PARTS *6, 8, *7, *34, 8, *35,
*50 & *51, ARE
FURNISHED AS A COMPLETE
ASSEMBLY ONLY.



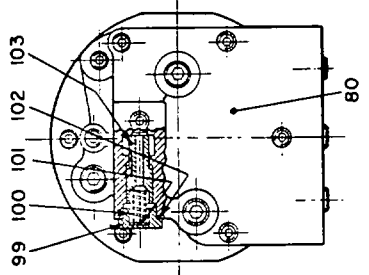
SECTION C-C



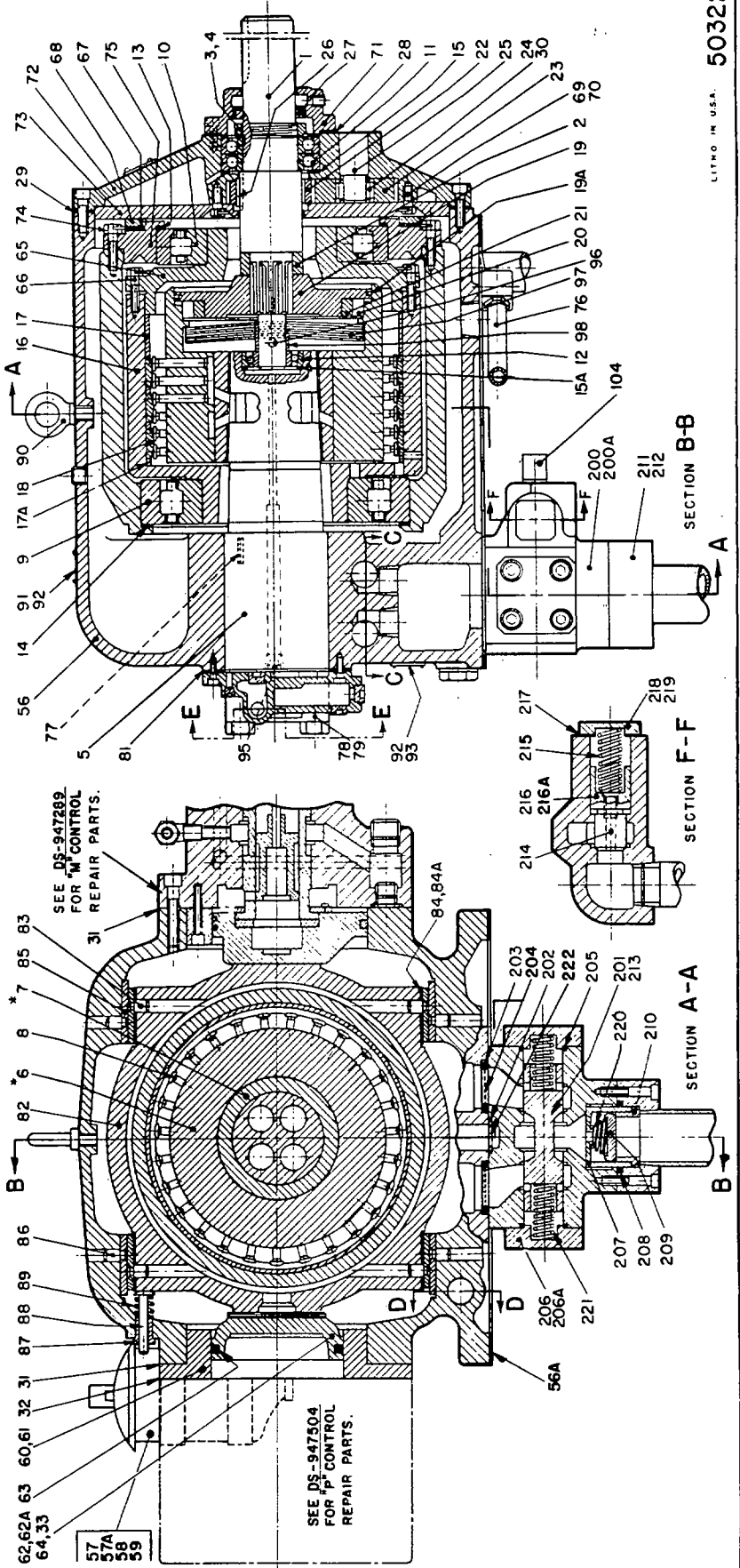
SECTION C-C



SECTION D-D



SECTION E-E (ENLARGED)



SECTION A-A

SECTION F-F

SECTION B-B

SECTION G-G

ISSUED: AUG. 1961

THE OILGEAR COMPANY
MILWAUKEE 4, WISCONSIN, U.S.A.

DS-947287

PARTS LIST
OILGEAR TYPE "DMP" VARIABLE DISPLACEMENT PUMPS
SIZES 100 AND 150

Part No.	Description	Part No.	Description	Part No.	Description
1.	Shaft, Drive	43.	Guide, Spring	37.	Bushing, Indicator
2.	Spacer, Coupling	44.	Retainer, Bushing	38.	Stem, Indicator
3.	Nut, Lock	45.	Shims, Retainer	39.	Spring, Indicator
4.	Washer, Lock	46.	Gasket, Aux. Port	90.	Eye Bolt
5.	Pintle	47.	Cap, Aux. Port	91.	Plate, Name
*6.	Cylinder	48.	Plug, Pipe	92.	Screw, Drive
*7.	Bushing, Cylinder	49.	Spacer, G. P. R. V.	93.	Plate, Name
8.	Piston, Radial	*50.	Plunger, Dashpot	95.	Plug, Orifice
9.	Bearing, Rear Rotor	*51.	Plunger, G. P. R. V.	96.	Ball, Steel
10.	Bearing, Frt. Rotor	52.	Spring, G. P. R. V.	97.	Spring, Flat
11.	Bearing, Frt. Shaft	53.	Shims, G. P. R. V.	98.	Yoke, Flat Spring
12.	Bearing, Rear Shaft	54.	Gasket, G. P. R. V. Cap	99.	Cap, Pintle Cover R. V.
13.	Shims, Frt. Rotor Brg.	55.	Cap, G. P. R. V.	100.	Spring, Relief Valve
14.	Shims, Rear Rotor Brg.	56.	Case, Pump	101.	Shims, Relief Valve
15.	Shims, Frt. Shaft Brg.	56A.	Gasket, Reservoir	102.	Gasket, Cap
15A.	Shims, Rear Shaft Brg.	57.	Filter, Oil	103.	Plunger, Relief Valve
16.	Rotor	57A.	Element, Filter	104.	Tubing, W/Fittings
17.	Ring, Spacer	58.	Valve, Flow Control		
17A.	Ring, Spacer	59.	Gage, Filter		
18.	Ring, Thrust	60.	Adapter, Ctrl. Piston		
19.	Flange, Coupling	61.	Screw, Adapter		
19A.	Ring, Piston	62.	Piston, Control		
20.	Roller, Coupling	62A.	Shims, Ctrl. Piston	200.	Body, Suction Valve
21.	Ring, Coupling	63.	Ring, Piston	200A.	Screw, Sock. Hd. Cap
22.	Gear, G. P. Driving	64.	Screw, Ctrl. Piston	201.	Plunger, Suction Valve
23.	Gear, G. P. Driven	65.	Head, Rotor	202.	Seal, O'Ring
24.	Bearing, Roller	66.	Screw, Rotor Head	203.	Seal, O'Ring
25.	Shaft, Stub	67.	Shims, Sb. Cover	204.	Retainer, O'Ring
26.	Key, Drive Shaft	68.	Ring, Sb. Spacer	205.	Seal, O'Ring
27.	Seal, Oil	69.	Screw, G. P. Cover	206.	Flange, Plunger
28.	Gasket, Frt. Cover	70.	Gasket, G. P. Screw	206A.	Screw, Sock. Hd. Cap
29.	Gasket, G. P. Hsg.	71.	Housing, Oil Seal	207.	Cage, Check Valve
30.	Spacer, Bearing	72.	Housing, Gear Pump	208.	Seal, O'Ring
31.	Gasket, Control Mtg.	73.	Cover, Gear Pump	209.	Disc, Check Valve
32.	Gasket, Ctrl. Adptr.	74.	Screw, Sb. Cover	210.	Seat, Check Valve
33.	Gasket, Piston Screw	75.	Cover, Sb. End	211.	Screw, Flange
*34.	Plunger, H. P. R. V.	76.	Tubing, W/Fittings	212.	Flange, Suction
*35.	Bushing, H. P. R. V.	77.	Key, Pintle	213.	Plug, Orifice
†35A.	Plug, Bushing	78.	Gasket, Flange	213A.	Plug, Pipe
†35B.	Seal, O'Ring	79.	Flange, Pipe	214.	Plunger, B. P. R. V.
†35C.	Ring, Retaining	80.	Cover, Pintle End	215.	Spring, B. P. R. V.
37.	Seal, O'Ring	81.	Gasket, Pintle Cover	216.	Shims, B. P. R. V.
38.	Cap, H. P. R. V.	82.	Slideblock (Sb)	217.	Gasket, Flange
39.	Gasket, H. P. R. V. Cap	83.	Pin, Dowel	218.	Flange, B. P. R. V.
40.	Screw, Adjusting	84.	Liner, Slideblock	219.	Screw, Flange
40A.	Nut, Adj. Screw Lock	84A.	Shims, Liner	220.	Spring, Check Valve
41.	Guide, Spring	85.	Liner, Case	221.	Spring, Plunger
42.	Spring, H. P. R. V.	86.	Pin, Dowel	222.	Retainer, O'Ring

Note: * Part numbers 6 & 7, 34 & 35, 50 & 51 are furnished only as assemblies. † Part numbers 35A, 35B and 35C are furnished as an assembly with part number 35. (Applicable to pumps with "Sequence" type relief valves.) When ordering replacement parts be sure to include pump serial number, data sheet number and part number. Specify type of hydraulic fluid for O'Rings, packings and seals.

O'RING SIZES

Part No.	Cross Section	x	I.D.	x	O.D.	Duro ± 5
35B.	3/32	x	5/8	x	13/16	70
37.	1/8	x	1-5/8	x	1-7/8	70
202.	1/8	x	4-1/8	x	4-3/8	90
203.	3/16	x	3-1/4	x	3-5/8	90
205.	1/8	x	2-3/4	x	3	90
208.	3/16	x	4	x	4-3/8	90