

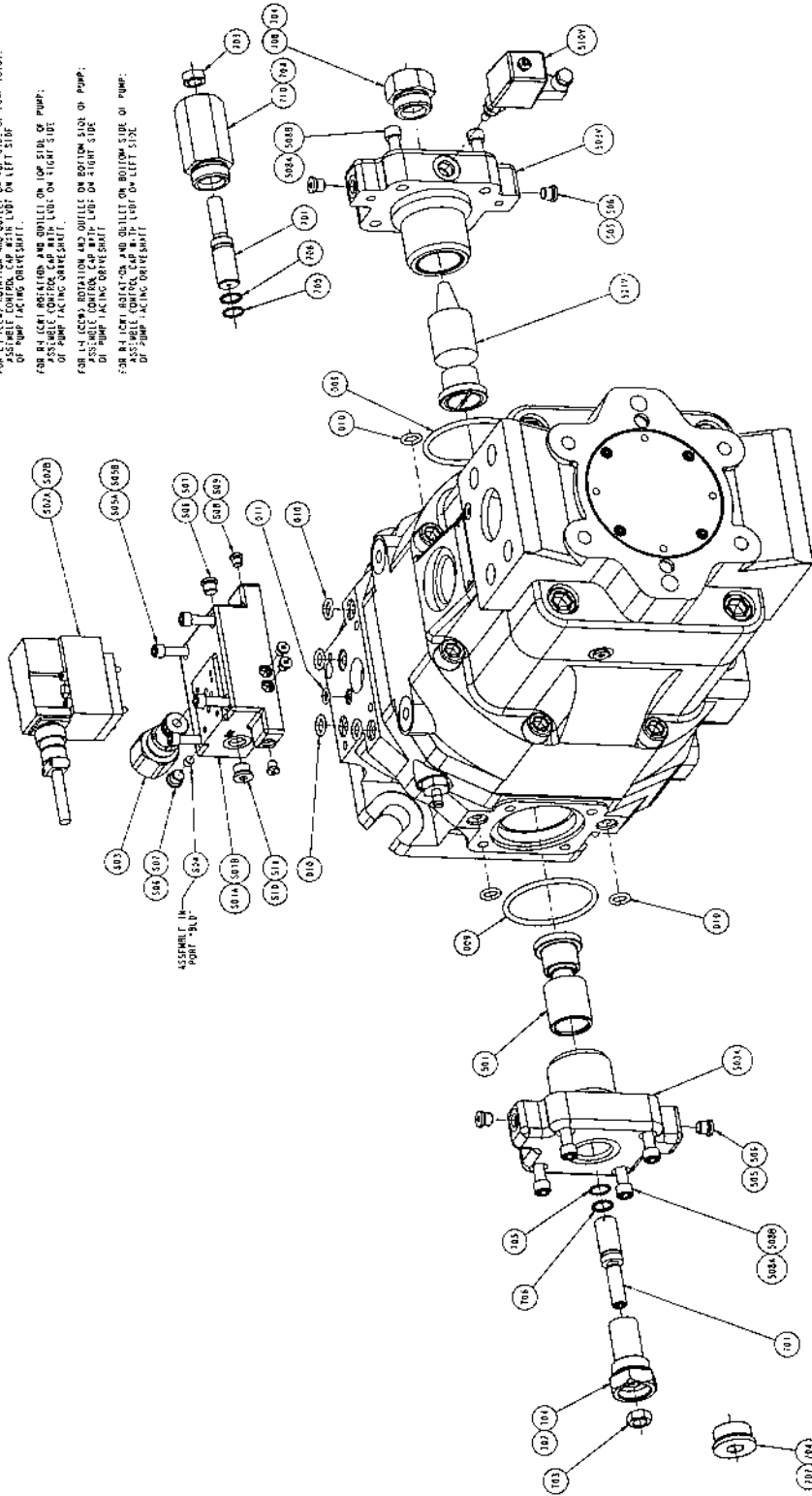
"VS" CONTROL



Parts Drawing

Electrohydraulic (w/Feedback) Integral Servo Valve

CONTROL CAP ASSEMBLY LOCATION:
 FOR LEFT ROTATION AND OUTLET ON TOP SIDE OF PUMP (500):
 ASSEMBLE CONTROL CAP WITH VOLT ON LEFT SIDE
 OF PUMP (ACTING ORIENTATION).
 FOR RIGHT ROTATION AND OUTLET ON TOP SIDE OF PUMP:
 ASSEMBLE CONTROL CAP WITH VOLT ON RIGHT SIDE
 OF PUMP (ACTING ORIENTATION).
 FOR LEFT ROTATION AND OUTLET ON BOTTOM SIDE OF PUMP:
 ASSEMBLE CONTROL CAP WITH VOLT ON LEFT SIDE
 OF PUMP (ACTING ORIENTATION).
 FOR RIGHT ROTATION AND OUTLET ON BOTTOM SIDE OF PUMP:
 ASSEMBLE CONTROL CAP WITH VOLT ON RIGHT SIDE
 OF PUMP (ACTING ORIENTATION).



518069 sht. 1

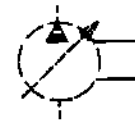
Oilgear

PUMP, VARIABLE DELIVERY PVV-200 & 250

MAINTENANCE

2

"VS" CONTROL



Parts List

Electrohydraulic (w/Feedback) Integral Servo Valve

Parts used in this assembly are per Oilgear specifications. Use Oilgear parts to ensure compatibility with assembly requirements. When ordering replacement parts, be sure to include pump type designation, serial number, Data Sheet (DS-) number and item number. To assure seal and packing compatibility, specify type of hydraulic fluid used.

ITEM NO.	DESCRIPTION
700	VOLUME STOP ASSEMBLY
701	Stop, Min./Max. Volume
702	Gland, Min. Volume Stop
703	Nut, Lock
704	Seal, O'ring
705	Seal, O'ring
706	Ring, Back-up
707	Plug, Hollow Hex.
708	Plug, Max. Stop w/LVDT
710	Gland, Max. Volume Stop

O'RING and BACK-UP RING SIZE
Cross Section x O.D. Duro ± 5

ITEM NO.	SIZE
009	3/16 x 3-7/8
010	1/8 x 3/4
011	3/32 x 9/16
506	904 ARP
704	916 ARP
705	1/16 x 3/4
706	016
S07	904 ARP
S09	902 ARP
S11	906 ARP

ITEM NO.	DESCRIPTION
009	COMMON ASSEMBLY GROUP
010	Seal, O'ring
011	Seal, O'ring
501	CONTROL HEAD ASSEMBLY
501V	Assembly, Control Piston/Shoe
503A	Assembly, Control Cap/Sleeve
503V	Assembly, Control Cap/Sleeve for feed-back
505	Plug, Hollow Hex.
506	Seal, O'ring
508A	Screw, S.H.C. SAE
508B	Screw, S.H.C. Metric
510V	Assembly, Linear Variable Differential Transducer

ITEM NO.	DESCRIPTION
VS	CONTROL ASSEMBLY:
S01A	Block, VS Control SAE
S01B	Block, VS Control Metric
S02A	Valve, Servo-VSCR-R03-010
S02B	Valve, Servo-VSCR-R03-025
S03	Fuse, Contamination
S04	Plug, Orifice
S05A	Screw, S.H.C. SAE
S05B	Screw, S.H.C. Metric
S06	Plug, Hollow Hex.
S07	Seal, O'ring
S08	Plug, Hollow Hex.
S09	Seal, O'ring
S10	Plug, Hollow Hex.
S11	Seal, O'ring