

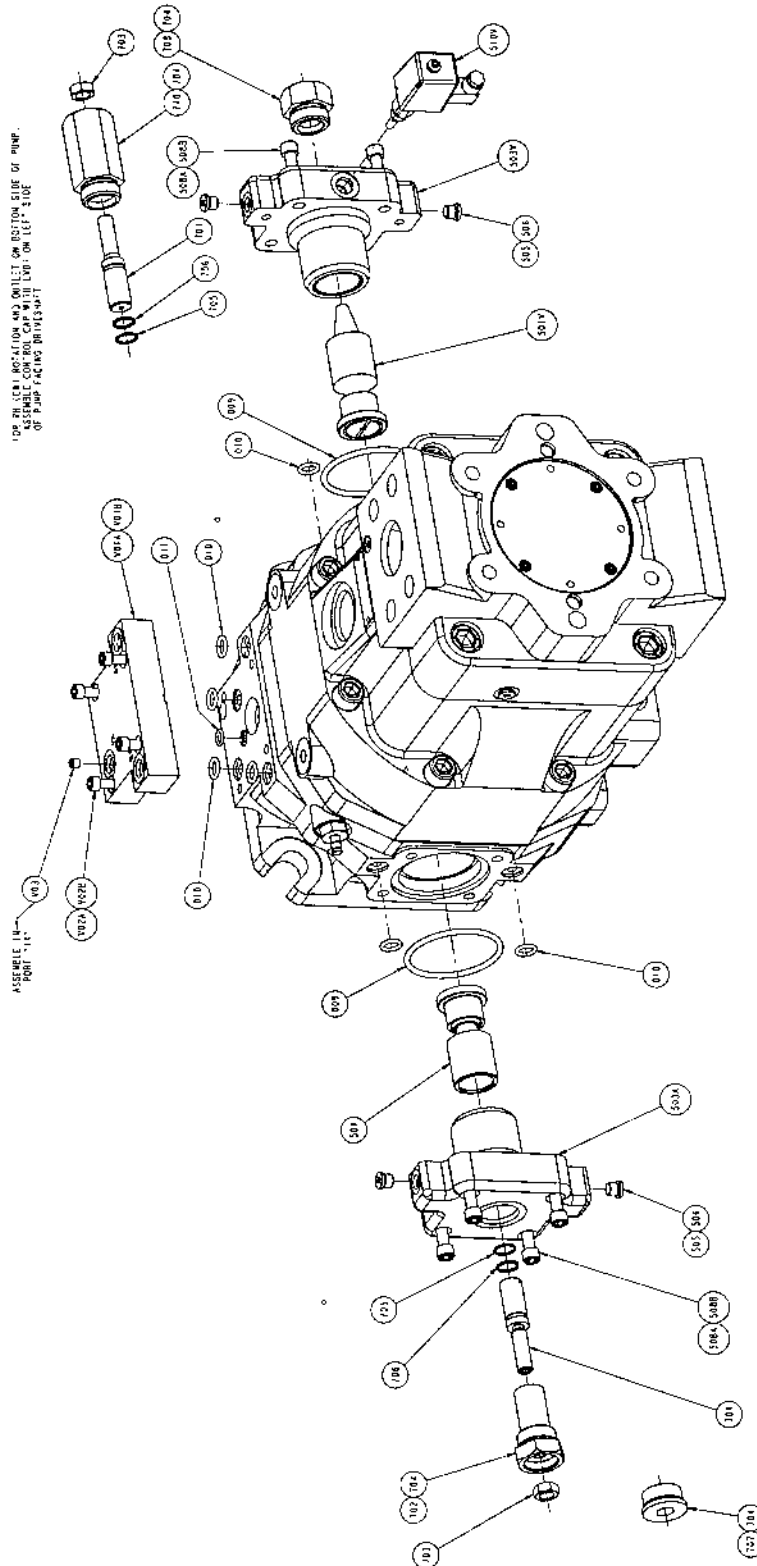
"VR" CONTROL



Parts Drawing Electrohydraulic (w/Feedback) Remote Servo Valve

CONTROL CAP ASSEMBLY LOCATION:

- FOR CW ROTATION AND OUTLET ON TOP SIDE OF PUMP ISHS: ASSEMBLE CONTROL CAP WITH LENS ON LEFT SIDE OF PUMP FACING DRIVE SHAFT.
- FOR CCW ROTATION AND OUTLET ON TOP SIDE OF PUMP: ASSEMBLE CONTROL CAP WITH LENS ON RIGHT SIDE OF PUMP FACING DRIVE SHAFT.
- FOR CW ROTATION AND OUTLET ON BOTTOM SIDE OF PUMP: ASSEMBLE CONTROL CAP WITH LENS ON RIGHT SIDE OF PUMP FACING DRIVE SHAFT.
- FOR CCW ROTATION AND OUTLET ON BOTTOM SIDE OF PUMP: ASSEMBLE CONTROL CAP WITH LENS ON LEFT SIDE OF PUMP FACING DRIVE SHAFT.



518069 sht. 2



**PUMP, VARIABLE DELIVERY
PVV-200 & 250**

MAINTENANCE

2

"VR" CONTROL



Parts List Electrohydraulic (w/Feedback) Remote Servo Valve

Parts used in this assembly are per Oilgear specifications. Use Oilgear parts to ensure compatibility with assembly requirements. When ordering replacement parts, be sure to include pump type designation, serial number, Data Sheet (DS-) number and item number. To assure seal and packing compatibility, specify type of hydraulic fluid used.

ITEM NO.	DESCRIPTION
700	VOLUME STOP ASSEMBLY
701	Stop, Min./Max. Volume
702	Gland, Min. Volume Stop
703	Nut, Lock
704	Seal, O'ring
705	Seal, O'ring
706	Ring, Back-up
707	Plug, Hollow Hex.
708	Plug, Max. Stop w/LVDT
709	Gland, Max. Stop w/o LVDT
VR	CONTROL ASSEMBLY
V01A	Block, VR Control SAE
V01B	Block, VR Control Metric
V02A	Screw, S.H.C. SAE
V02B	Screw, S.H.C. Metric
V03	Plug, Orifice

ITEM NO.	DESCRIPTION
009	COMMON ASSEMBLY GROUP
010	Seal, O'ring
011	Seal, O'ring
501	CONTROL HEAD ASSEMBLY
501V	Assembly, Control Piston/Sleeve
503A	Assembly, Control Piston/Sleeve for feed-back
503V	Assembly, Control Cap/Shoe
505	Assembly, Control Cap/Shoe for feed-back
506	Plug, Hollow Hex.
508A	Seal, O'ring
508B	Screw, S.H.C. SAE
510V	Screw, S.H.C. Metric
	Assembly, Linear Variable Differential Transducer

O'RING and BACK-UP RING SIZE
Cross Section x O.D. Duro ±5

ITEM NO.	SIZE
009	3/16 x 3-7/8
010	1/8 x 3/4
011	3/32 x 9/16
506	904 ARP
704	916 ARP
705	1/16 Xx34
706	016