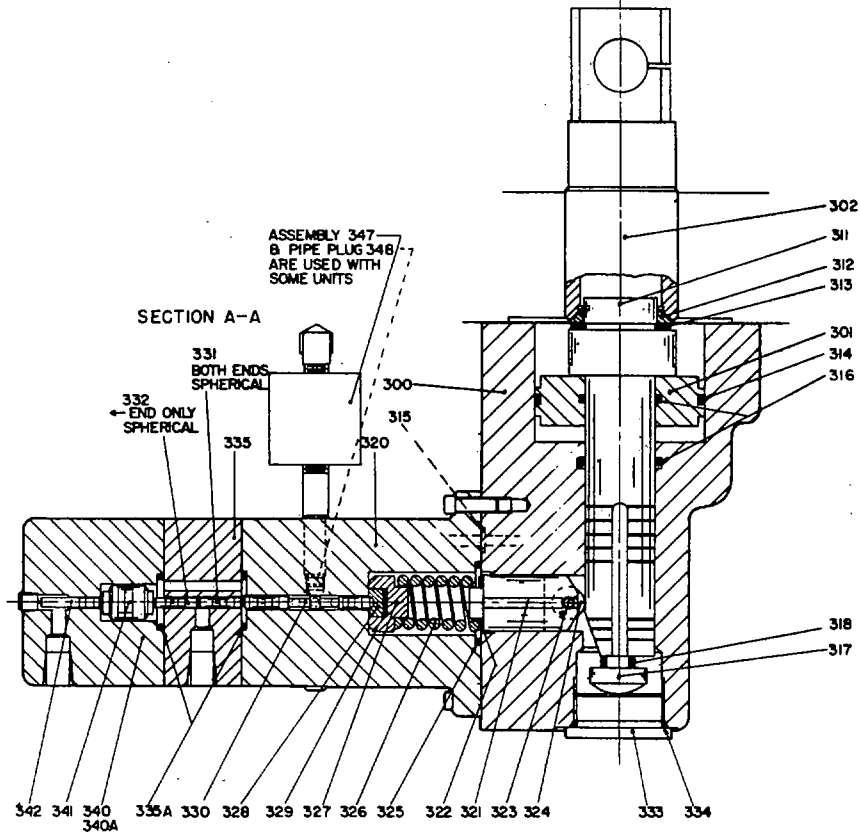
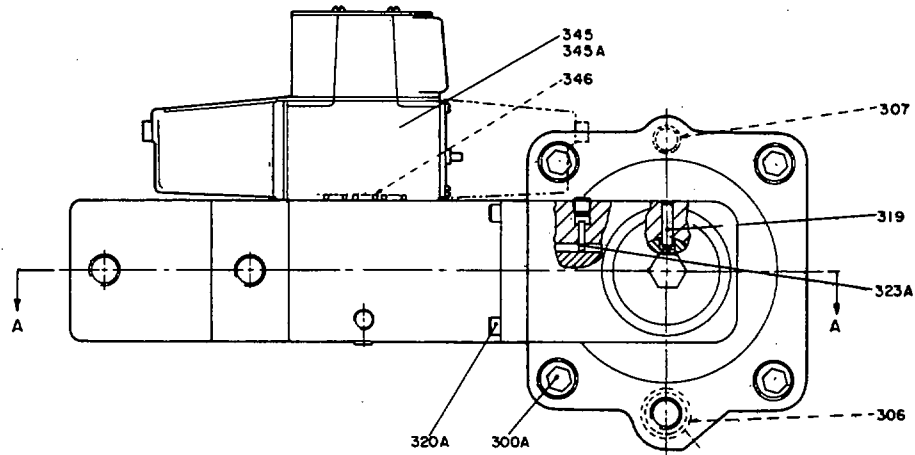


TYPE "Q-N" CONTROL FOR OILGEAR "PVT" PUMPS



PRINTED IN U.S.A.

TYPE Q CONTROL FOR PVT PUMPS	
DR. DLP	CH. QP
TR.	APP.
508343	

ISSUED NOV. 1972

THE OILGEAR COMPANY
MILWAUKEE, WISCONSIN, U.S.A. 53219

SHEET 1 OF 2

DS-947579

①

PARTS LIST

PART NO.	DESCRIPTION	PART NO.	DESCRIPTION
350	Housing, Operator	371	Thread, Seal
350A	Screw, Sock. Hd. Cap	372	Screw, Max. Stroke Adjust.
351	Piston, Operator	380	Body, Slip Compensator
352	Rod, Connecting (Push)	380A	Screw, Sock. Hd. Cap
354	Seal, O'ring	380B	Seal, O'ring
356	Seal, O'ring	381	Cover, Slip Compensator
359	Seal, O'ring	381A	Screw, Sock. Hd. Cap
360	Head, End	382	Seal, O'ring
360A	Screw, Sock. Hd. Cap	383	Stop, Spring
361	Nut, Hex.	384	Shim, Spring
362	Washer	385	Spring
363	Thread, Seal	386	Guide, Spring
364	Rod, Secondary Adjusting	387	Spool, Slip Compensator
365	Spacer, Stroke Limit	388	Orifice
366	Shims, Stroke Limit	389	Plunger, Slip Compensator
367	Piston, Secondary	390	Assembly, Control Valve
368	Seal, O'ring	390A	Screw, Sock. Hd. Cap
369	Nut, Hex	391	Seal, O'ring
370	Washer		

Parts used in this assembly are per Oilgear specifications. Use Oilgear supplied parts to insure compatibility with assembly requirements. When ordering replacement parts, specify unit serial number, data sheet (DS) number and part number. Specify type of Hydraulic Fluid used.

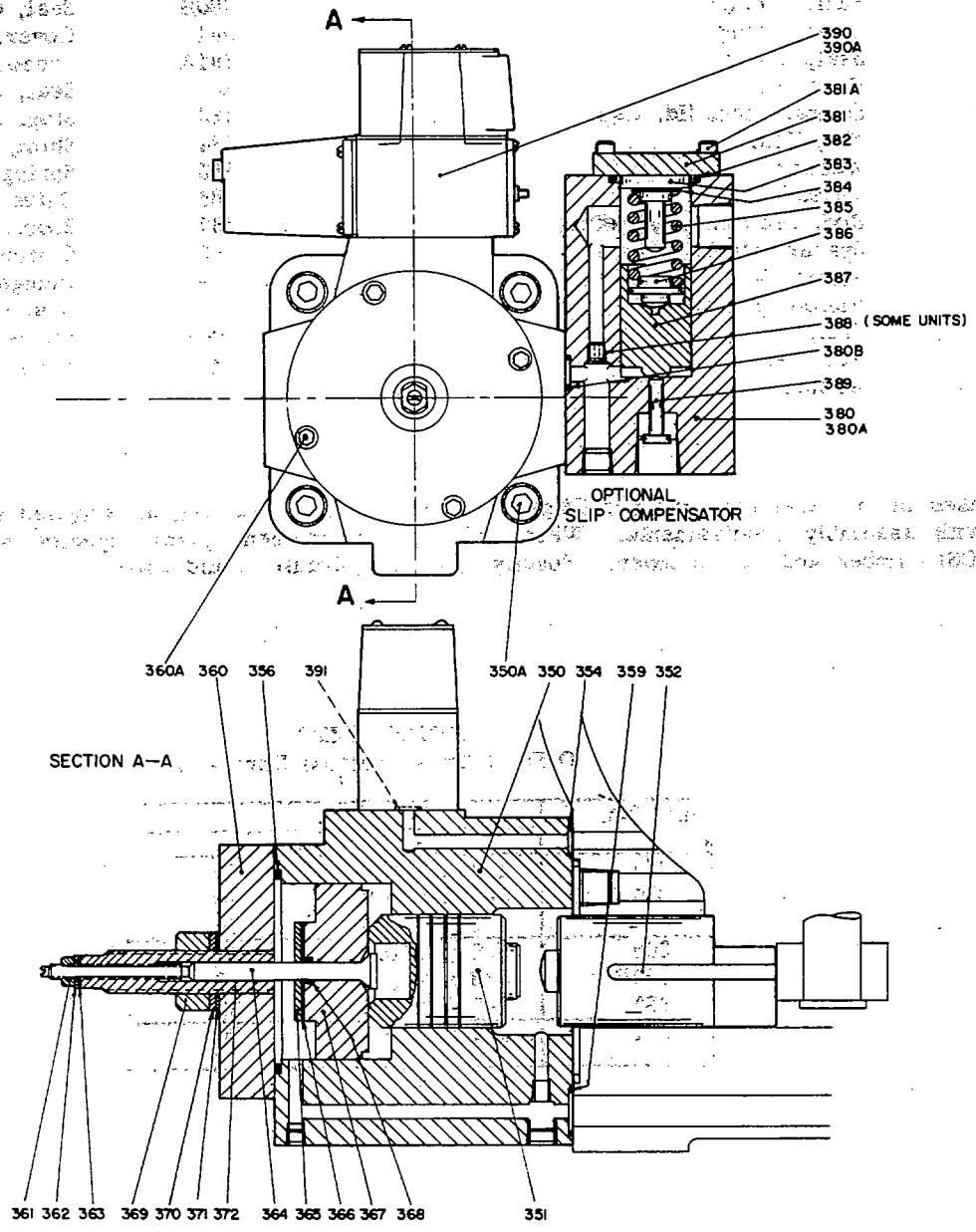
O-RING SIZES
O.D. x Cross Section Duro ± 5

Part No.	Unit Size	
	110	
354	1/2 x 1/16	70
356	3-5/8 x 1/8	70
359	7/8 x 3/32	70
368	5/8 x 1/16	90
380B	5/8 x 1/16	70
382	1-5/8 x 1/8	90
391	1/2 x 1/16	90

SPECIAL TYPE "L-Z" OPPOSING OPERATORS FOR OILGEAR "PVT" PUMPS



PRINTED IN U.S.A.



TYPE L-Z OPPOS. OPER.	
DR/DP	CH. 0
TR.	APP.
508343	

ISSUED, NOV. 1972

THE OILGEAR COMPANY
MILWAUKEE, WISCONSIN, U.S.A., 53219

SHEET 2 OF 2

DS-947579

3

PARTS LIST

PART NO.	DESCRIPTION	PART NO.	DESCRIPTION
300	Housing, Control Piston	325	Seal, O'ring
300A	Screw, Sock. Hd. Cap	326	Spring, Follower
301	Piston, Control	327	Guide, Spring
302	Rod, Connecting (Push)	328	Stop, Pilot Plunger
306	Seal, O'ring	329	Shims, Pilot Plunger
307	Seal, O'ring	330	Plunger, Pilot
311	Cam	331	Plunger, Deceleration
312	Plate, Thrust	332	Plunger, Spacer
313	Shims, Thrust Plate	333	Plug, Parker
314	Seal, O'ring	334	Seal, O'ring
315	Seal, O'ring	335	Housing, Plunger
316	Seal, O'ring	335A	Seal, O'ring
317	Stop, Stroke Return	340	Head, End
318	Shims, Stroke, Return	340A	Screw, Sock. Hd. Cap
319	Pin, Cam Locating	341	Piston, Pilot
320	Housing, Pilot Plunger	342	Plunger, Acceleration
320A	Screw, Sock. Hd. Cap	345	Assembly, Control Valve
321	Follower, Cam	345A	Screw, Sock. Hd. Cap
322	Shims, Spring	346	Seal, O'ring
323	Pin, Roller	347	Assembly, Sol. Vlv. (optional)
323A	Pin, Follower, Locating	348	Plug, Pipe (Optional)
324	Roller, Cam Follower		

Parts used in this assembly are per Oilgear specifications. Use Oilgear supplied parts to insure compatibility with assembly requirements. When ordering replacement parts, specify unit serial number, data sheet (DS) number and part number. Specify type of Hydraulic fluid used.

O'RING SIZES
O.D. x Cross Section Duro + 5

Part No.	Unit Size	
	110	
306	7/8 x 3/32	70
307	1/2 x 1/16	70
314	3-1/4 x 1/8	90
315	7/16 x 1/16	70
316	1-1/2 x 1/8	90
325	1-1/2 x 1/8	70
334	ARP #920	
335	1 x 1/8	70
346	1/2 x 1/16	90