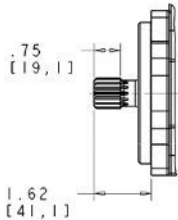


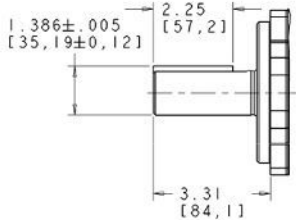
OPTIONAL SAE "B" SPLINE SHAFT (SAE "22-4") (CODE-K)

SAE INVOLUTE SPLINE
13 TEETH, 16/32 PITCH



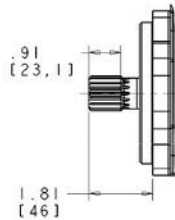
OPTIONAL SAE "C" KEYED SHAFT (SAE "38-1") (CODE-B)

SAE KEYED SHAFT
Ø 1.250 -0.002 [31,75 -0,05]
W/ .312 [7,92] SQ. KEY



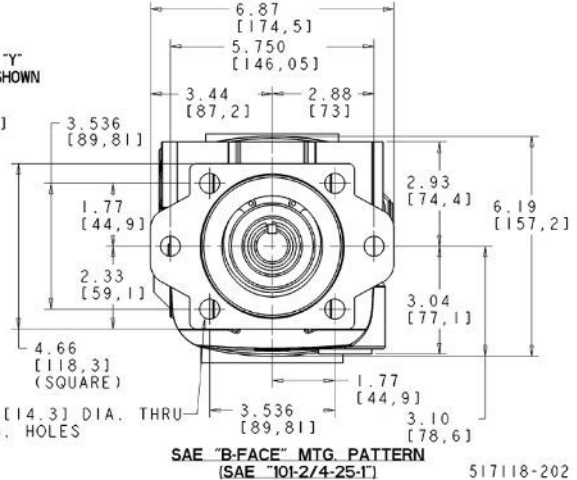
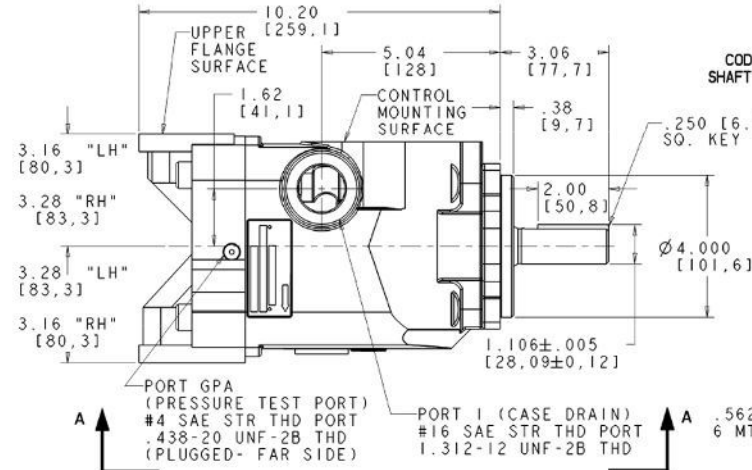
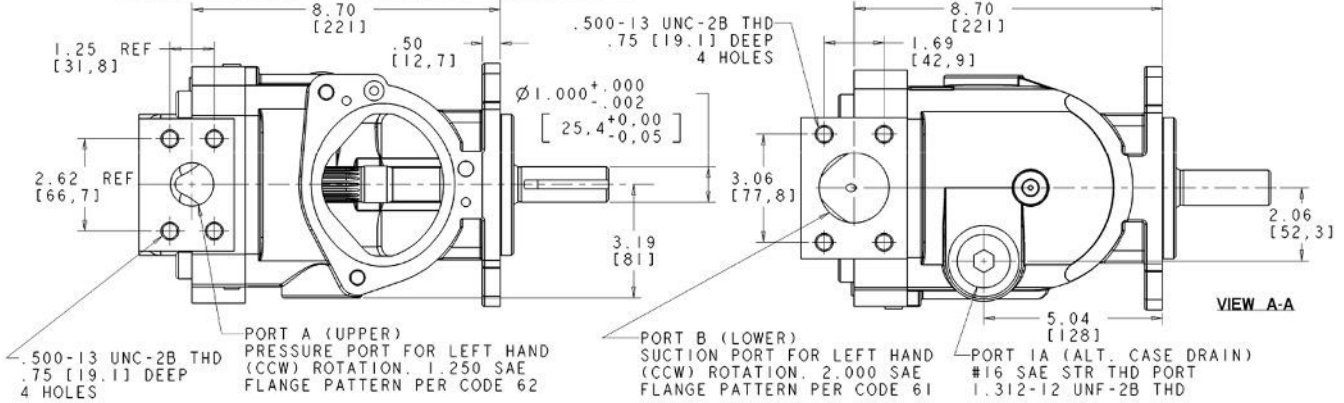
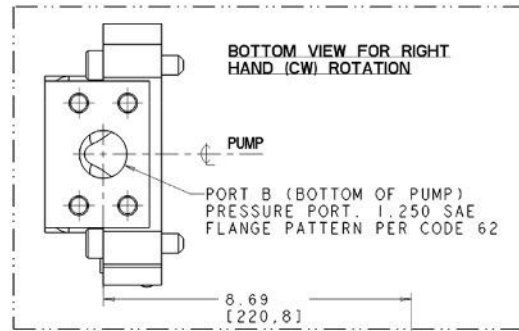
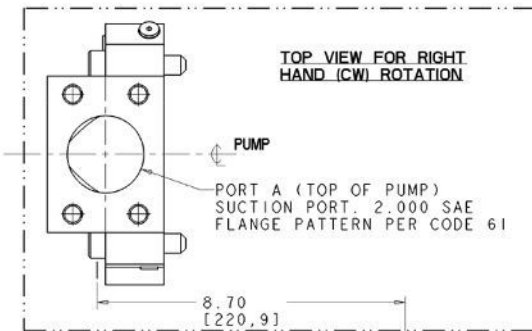
OPTIONAL SAE "B-B" SPLINE SHAFT (SAE "25-4") (CODE-S)

SAE INVOLUTE SPLINE
15 TEETH, 16/32 PITCH



NOTES:

1. PUMPS DESIGNED FOR ONE-WAY SERVICE AND ARE DIMENSIONED AS SHOWN.
2. THESE UNITS ARE DESIGNED TO RUN CASE FULL OF FLUID AT ALL TIMES. FILL CASE BEFORE STARTING AND CONNECT DRAIN LINES ACCORDINGLY.
3. NUMERICAL DIMENSIONS GIVEN IN INCHES/[MM].
4. NET WEIGHT- 55 LBS [25 KG].



SAE "B-FACE" MTG. PATTERN (SAE "101-2/4-25-1")

517118-202