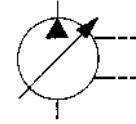


PVV-200 or 250

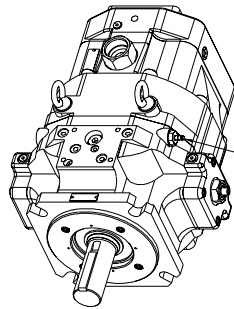


Installation Drawing

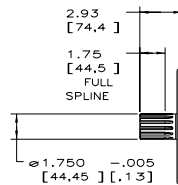
Basic Pump without Control - Rear Ported, ISO Mounting

PW-200-B1U
PVV-250-B1U

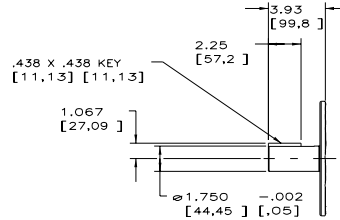
- NOTES:
1. PUMPS DESIGNED FOR ONE-WAY SERVICE ARE DIMENSIONED AS SHOWN.
 2. THESE UNITS ARE DESIGNED TO RUN CASE FULL OF FLUID AT ALL TIMES. FILL CASE BEFORE STARTING AND CONNECT DRAIN LINES ACCORDINGLY.
 3. HORIZONTAL MOUNTING STANDARD. FOR VERTICALLY MOUNTED UNITS, SEE OILGEAR BULLETIN 90014.
 4. DIMENSIONS GIVEN IN INCHES/[MM].
 5. NET WEIGHT - 355 LBS. [161 KG.]



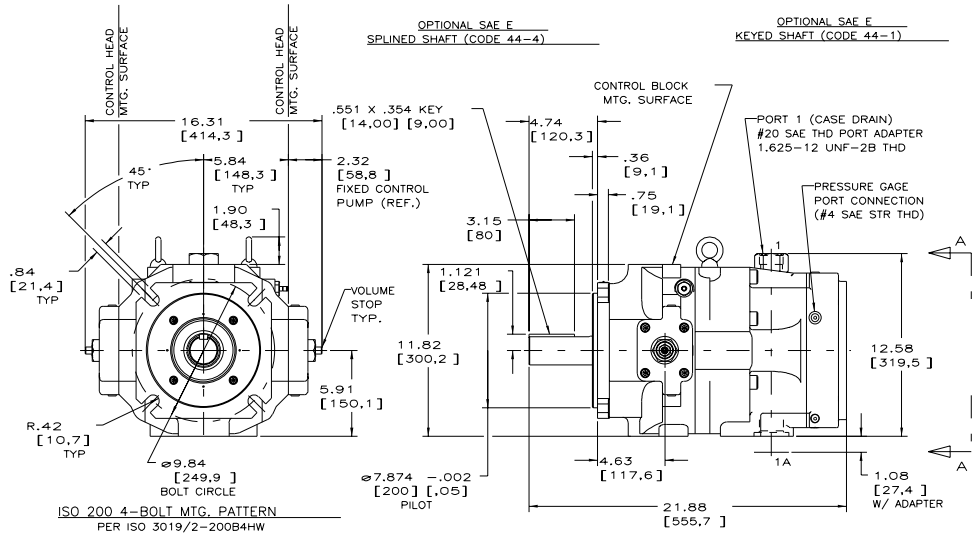
STROKE INDICATOR



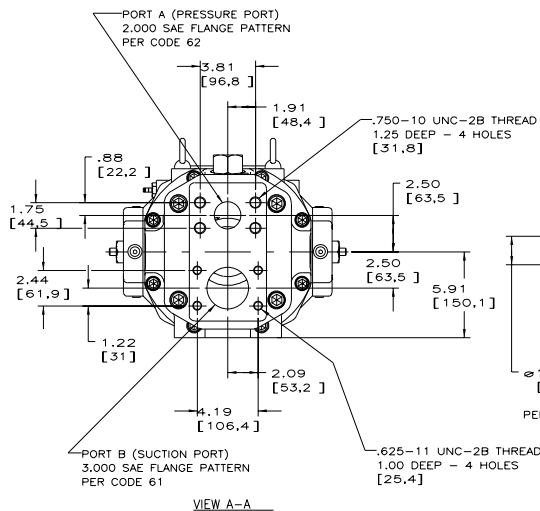
OPTIONAL SAE E
SPLINED SHAFT (CODE 44-4)



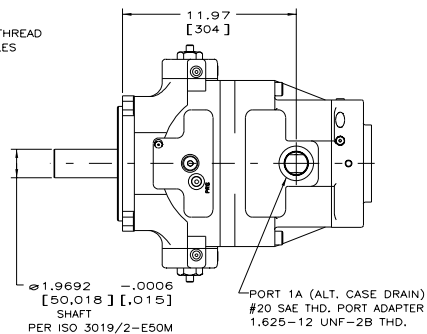
OPTIONAL SAE F
KEYED SHAFT (CODE 44-1)



ISO 200 4-BOLT MTG. PATTERN
PER ISO 3019/2-200B4HW

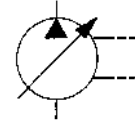


VIEW A-A



519103-001, sh. 2

PVV-200 or 250

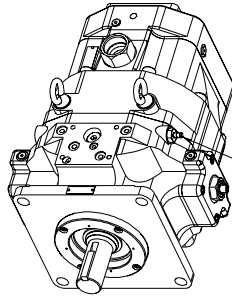


Installation Drawing

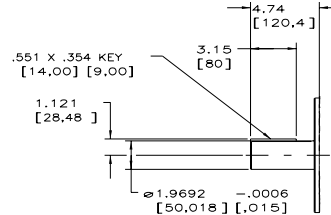
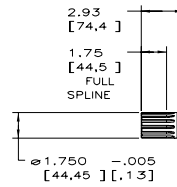
Basic Pump without Control - Rear Ported, SAE Mounting

PVV-200-B1S
PVV-250-B1S

- NOTES:
1. PUMPS DESIGNED FOR ONE-WAY SERVICE ARE DIMENSIONED AS SHOWN.
 2. THESE UNITS ARE DESIGNED TO RUN CASE FULL OF FLUID AT ALL TIMES. FILL CASE BEFORE STARTING AND CONNECT DRAIN LINES ACCORDINGLY.
 3. HORIZONTAL MOUNTING STANDARD. FOR VERTICALLY MOUNTED UNITS, SEE OILGEAR BULLETIN 90014.
 4. DIMENSIONS GIVEN IN INCHES/[MM].
 5. NET WEIGHT - 355 LBS. [161 KG.]

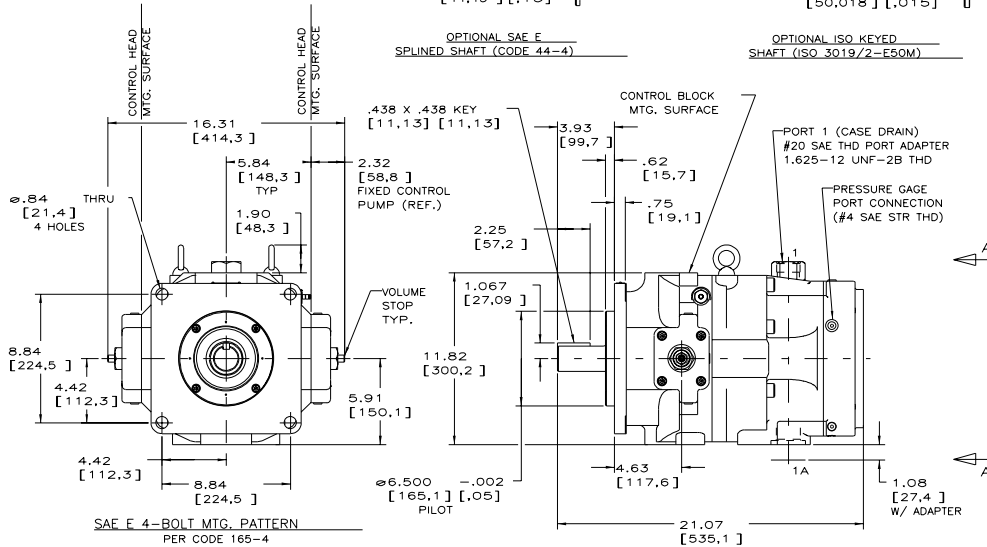


STROKE INDICATOR

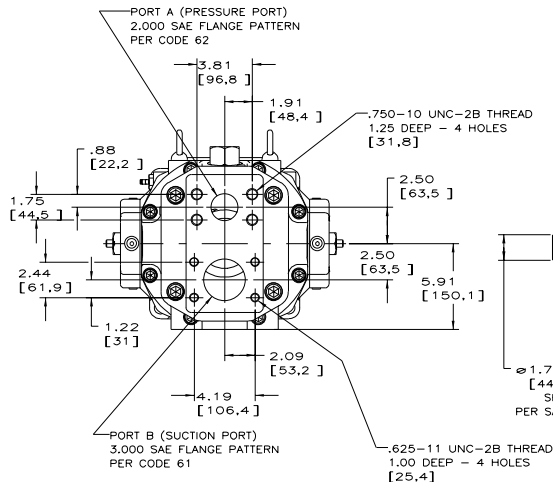


OPTIONAL SAE F
SPLINED SHAFT (CODE 44-4)

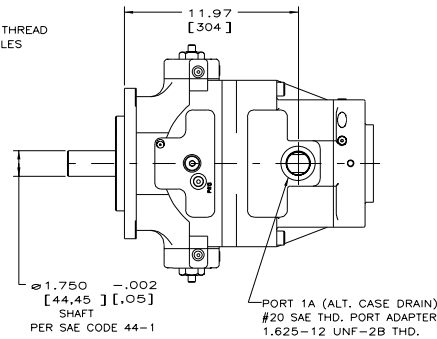
OPTIONAL ISO KEYED
SHAFT (ISO 3019/2-E50M)



SAE F 4-BOLT MTC. PATTERN
PER CODE 165-4



VIEW A-A



519103-002, sh. 2