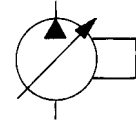


**PVV-200 or 250**

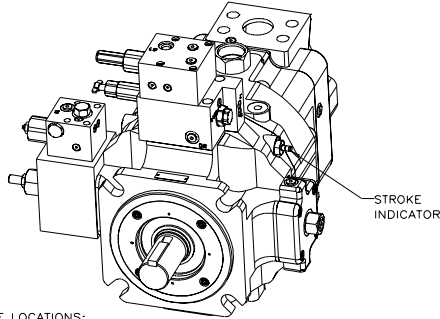
**"P-1NN/G" or "P-C-/G" CONTROL**



**Installation Drawing**

**Single Pressure or Soft Start w/H. P. Limit & Load Sense Control**

PVV-200/250-BIU PUMP (SHOWN)  
 PVV-200/250-B1S PUMP  
 WITH P-1NN/G CONTROL (SHOWN)  
 AND P-C-/G CONTROL



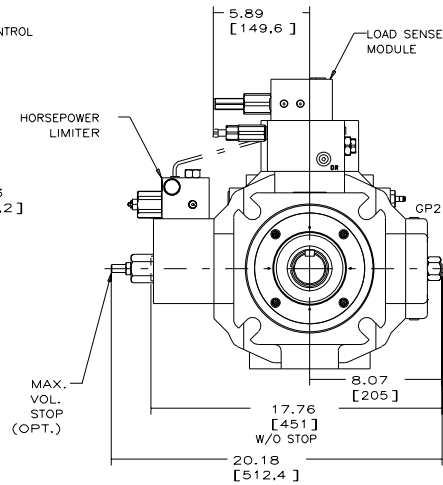
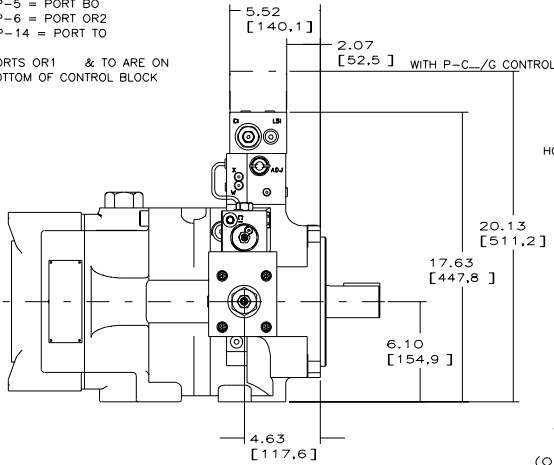
**NOTES:**

1. PUMPS DESIGNED FOR ONE-WAY SERVICE ARE DIMENSIONED AS SHOWN.
2. THESE UNITS ARE DESIGNED TO RUN CASE FULL OF FLUID AT ALL TIMES. FILL CASE BEFORE STARTING AND CONNECT DRAIN LINES ACCORDINGLY.
3. NUMERICAL DIMENSIONS ARE GIVEN IN INCHES/[MM].
4. NET WEIGHT: P-1NN/G CONTROL  
 425 LBS (193 KG) SIDE PORTED (SHOWN)  
 400 LBS (181 KG) REAR PORTED  
 P-C-/G CONTROL  
 435 LBS (197 KG) SIDE PORTED  
 410 LBS (186 KG) REAR PORTED
5. FOR BASIC PUMP DIMENSIONS SEE: DS-47939
6. LEFTHAND (CCW) VERSION IS SHOWN. FOR RIGHTHAND (CW) VERSION, THE CONTROL CAPS AND VOLUME STOPS WILL BE ON THE OPPOSITE SIDES, ASSUMING THAT THE OUTLET IS ON THE TOP.
7. FOR HP CONTROLS, "RP" ON THE CONTROL BLOCK IS CONNECTED TO "C" ON THE HP MODULE WITH AN EXTERNAL TUBE.

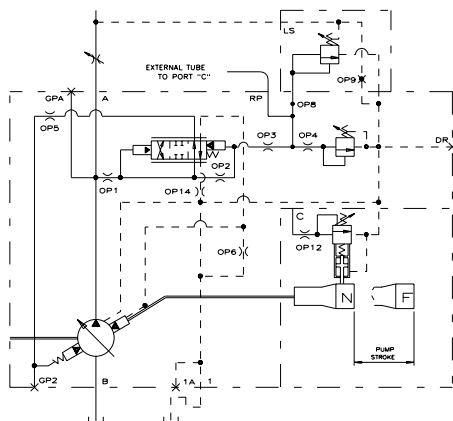
**ORIFICE LOCATIONS:**

- OP-1 & OP-2 = PORT OR1
- OP-3 & OP-4 = IN 4-WAY VALVE
- OP-5 = PORT B0
- OP-6 = PORT OR2
- OP-14 = PORT T0

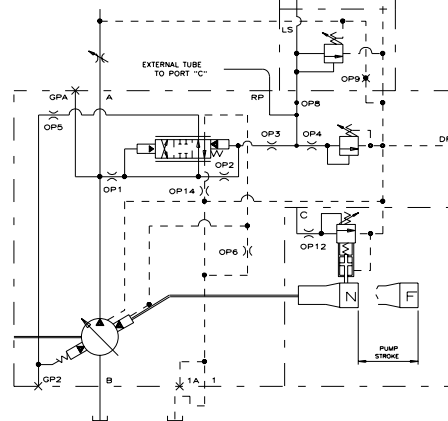
PORTS OR1 & T0 ARE ON BOTTOM OF CONTROL BLOCK



**P-1NN/G CONTROL**  
 SINGLE PRESSURE COMPENSATOR CONTROL  
 W/ HORSEPOWER LIMITER & LOAD SENSE



**P-C-/G CONTROL**  
 SINGLE PRESSURE  
 SOFT STARTING CONTROL  
 W/ HORSEPOWER LIMITER & LOAD SENSE



519103-006 3A1