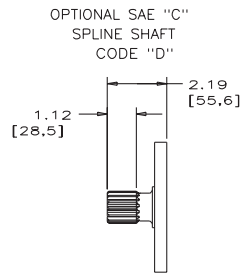
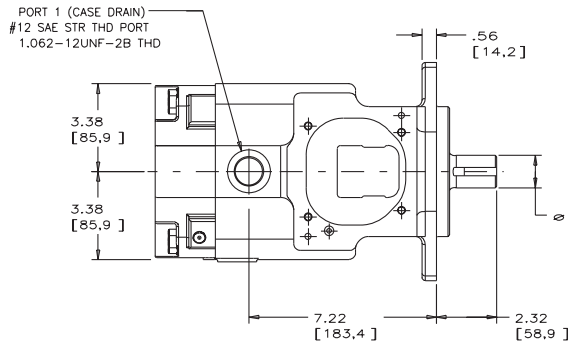
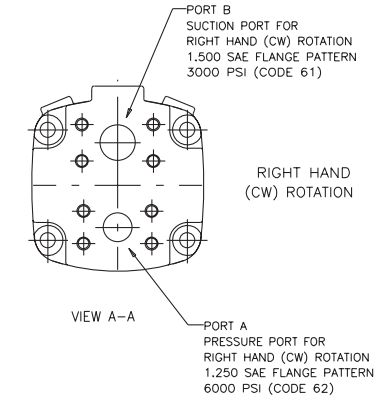
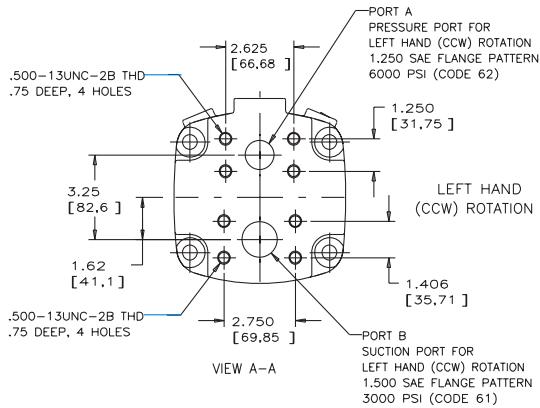


VIEW SHOWING OPTIONAL SPLINE SHAFT  
SAE INVOLUTE SPLINE 14 TEETH, 12/24 PITCH  
1.235 [31.37] MAJOR DIA.

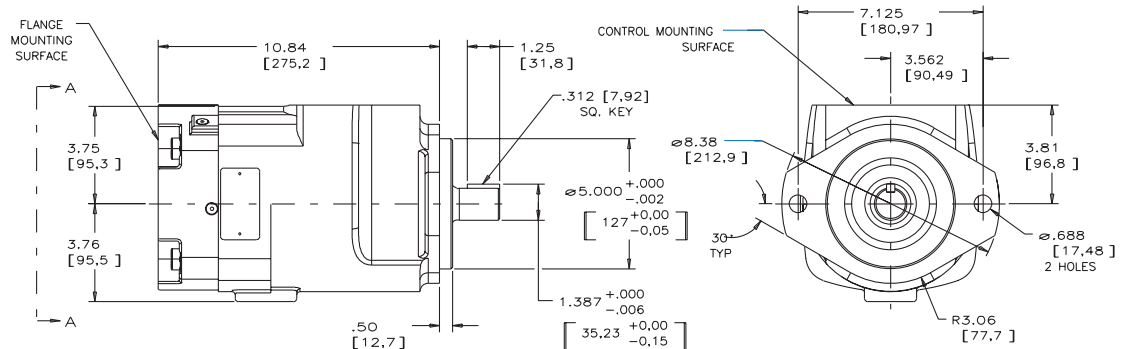


VIEW SHOWING OPTIONAL SPLINE SHAFT  
SAE INVOLUTE SPLINE 14 TEETH, 12/24 PITCH  
1.250 [31.75] MAJOR DIA.  
(INDUSTRIAL VERSION)



NOTES:

- 1) PUMPS ARE DESIGNED FOR ONE-WAY SERVICE.
- 2) THESE UNITS ARE DESIGNED TO RUN CASE FULL OF FLUID AT ALL TIMES. FILL CASE BEFORE STARTING AND CONNECT DRAIN LINES ACCORDINGLY.
- 3) NUMERICAL DIMENSIONS GIVEN IN INCHES/[MM].
- 4) NET WEIGHT- 83 LBS. [37.65 KG].



520034-301