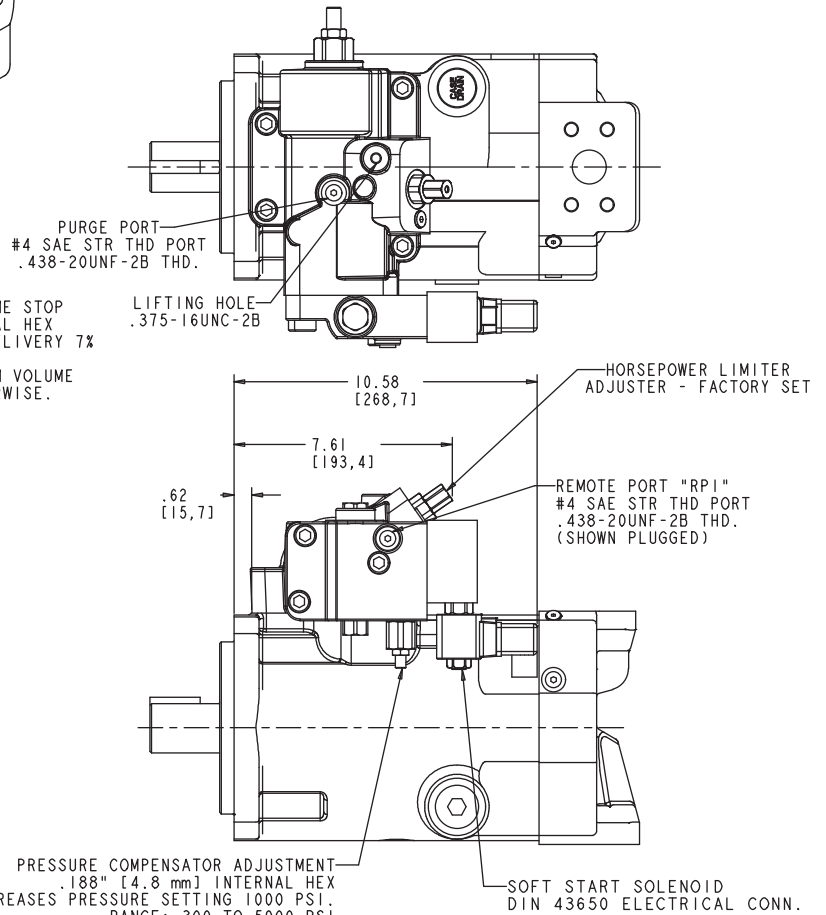
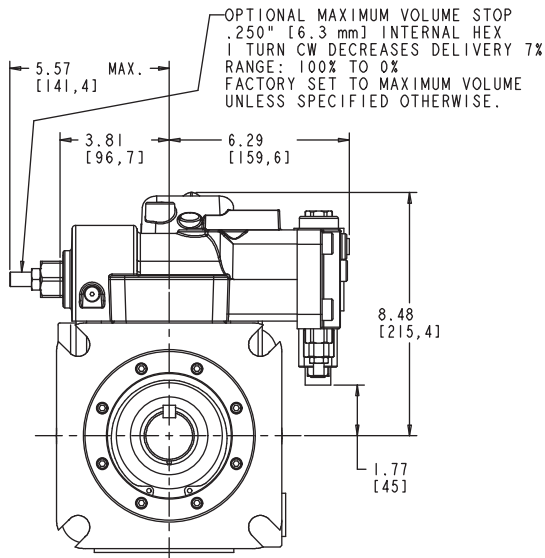
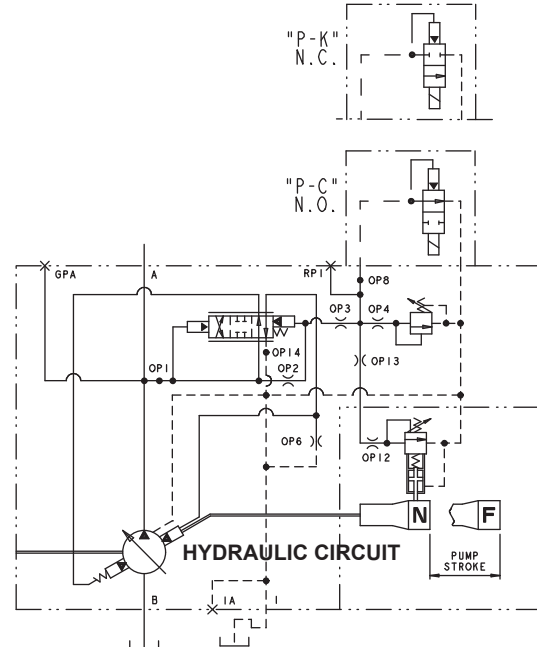
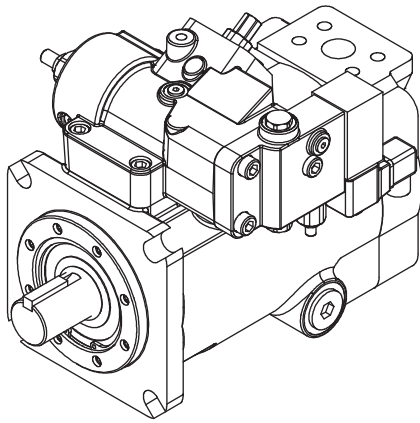


NOTES:

1. PUMPS DESIGNED FOR ONE-WAY SERVICE AND ARE DIMENSIONED AS SHOWN.
2. THESE UNITS ARE DESIGNED TO RUN CASE FULL OF FLUID AT ALL TIMES. FILL CASE BEFORE STARTING AND CONNECT DRAIN LINES ACCORDINGLY.
3. NUMERICAL DIMENSIONS GIVEN IN INCHES/[MM].
4. NET WEIGHT- 191 LBS [84 KG] FOR VERSION SHOWN
206 LBS [91 KG] FOR THRU SHAFT VERSION.



FOR BASIC PUMP DIMENSIONS SEE PLANOGRAPHS:
DS-47375, DS-47376

520241-416