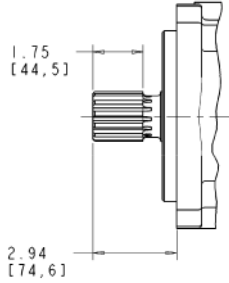
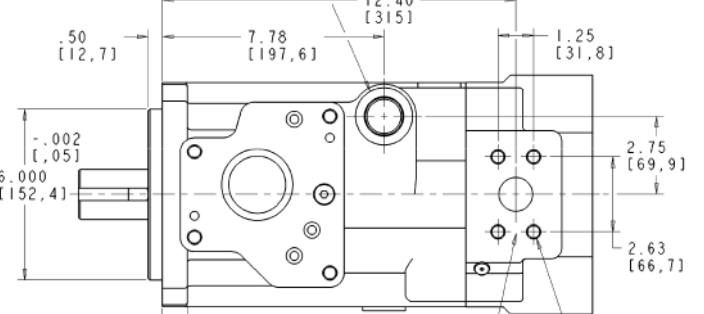
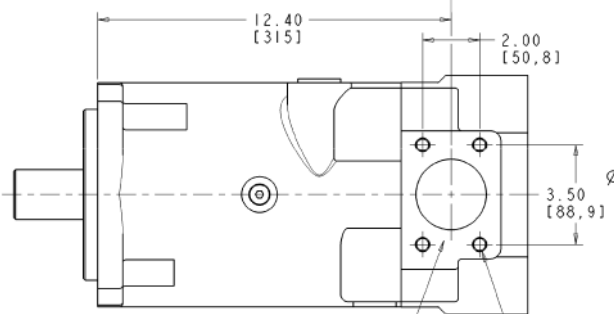
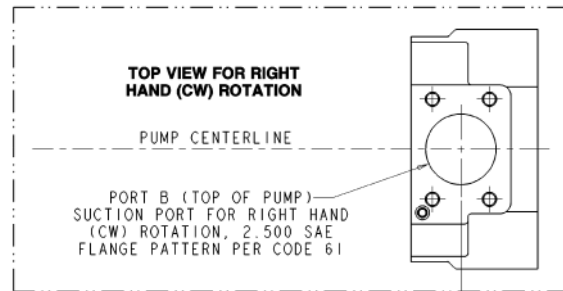
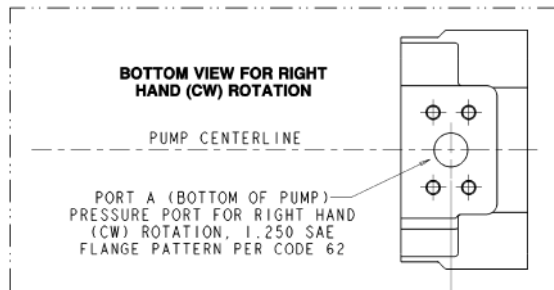
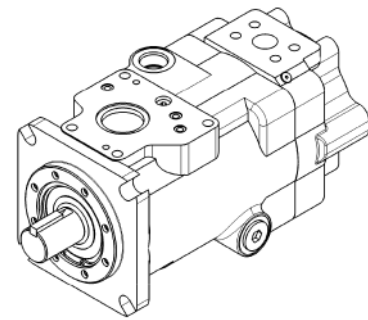
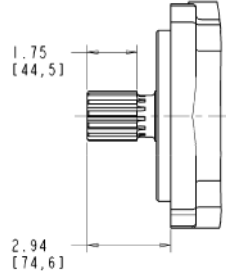


**SAE "D" SPLINE SHAFT
(SAE "44-4")
MODEL CODE "L"**
SAE INVOLUTE SPLINE
13 TEETH, 8/16 PITCH
1.750-.010 [44,45-.25] MAJOR DIA.

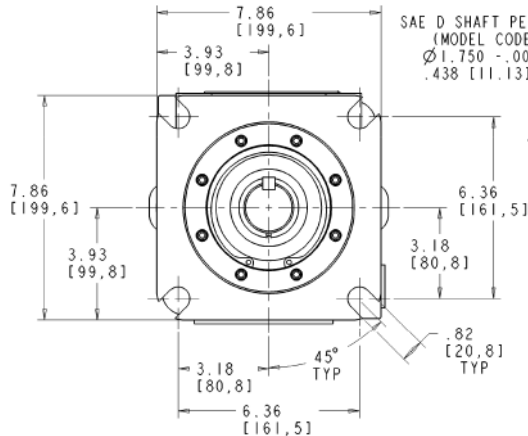


**SAE "D" SPLINE SHAFT
(SPECIAL)
MODEL CODE "S"**
SAE INVOLUTE SPLINE
13 TEETH, 8/16 PITCH
1.730 [43,94] MAJOR DIA.

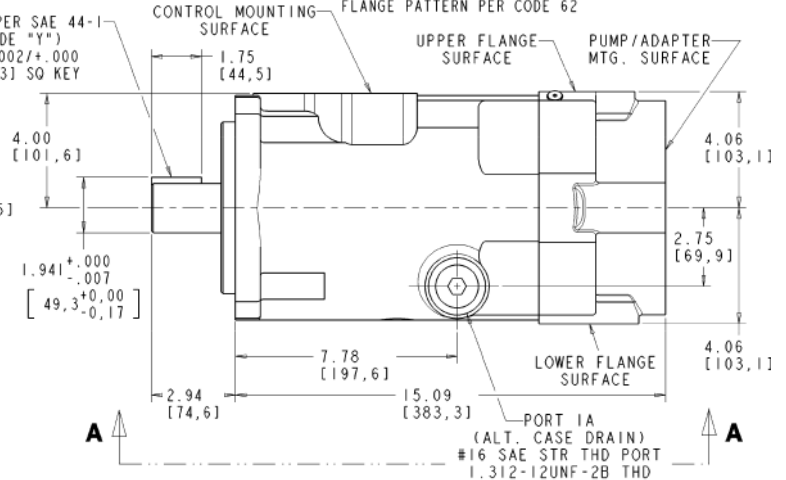


VIEW A-A PORT B (BOTTOM OF PUMP)
SUCTION PORT FOR LEFT HAND
(CCW) ROTATION, 2.500 SAE
FLANGE PATTERN PER CODE 61

PORT A (TOP OF PUMP)
PRESSURE PORT FOR LEFT HAND
(CCW) ROTATION, 1.250 SAE
FLANGE PATTERN PER CODE 62



**SAE "D-FACE" MTG. PATTERN
(SAE "152-4")**



520241-102