



OILGEAR TYPE "D" PUMPS

SIZES 2 THRU 60

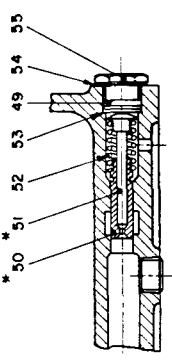
TR.	APR 2 1961
DR. E. T. CH.	503293
PARTS DRAWING	
TYPE "D" PUMPS SIZES 2-60	
09-233 IS	

NOTE: PUMPS WITH SEQUENCE TYPE RELIEF VALVE, PART NUMBERS 34 8 35, A, B, C, FURNISHED AS AN ASSEMBLY.

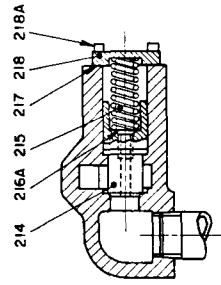
COOLER INSTALLATION DRAWING DS-47905
 COOLER CIRCUIT DRAWING DS-947906 (TWO-WAY PUMPS)
 COOLER CIRCUIT DRAWING DS-947905 (ONE-WAY PUMPS)

NOTE: WHEN ORDERING PARTS, BE SURE TO INCLUDE SERIAL NUMBER, PART NUMBER, AND DATA SHEET NUMBER. SPECIFY TYPE OF HYDRAULIC FLUID FOR O-RING AND SEALS.

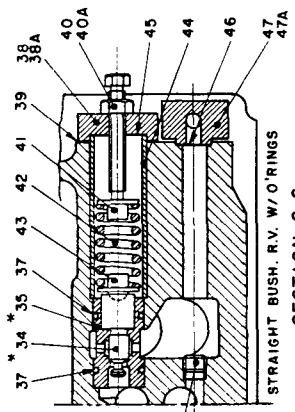
PARTS *6 8*7, *34 8*35, *50 8*51 FURNISHED AS A COMPLETE ASSEMBLY ONLY.



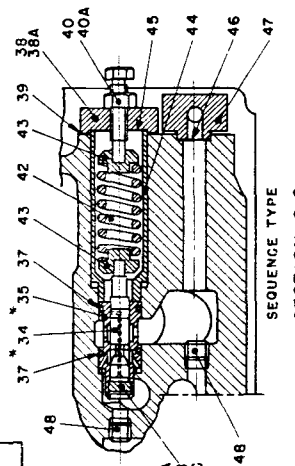
SECTION D-D



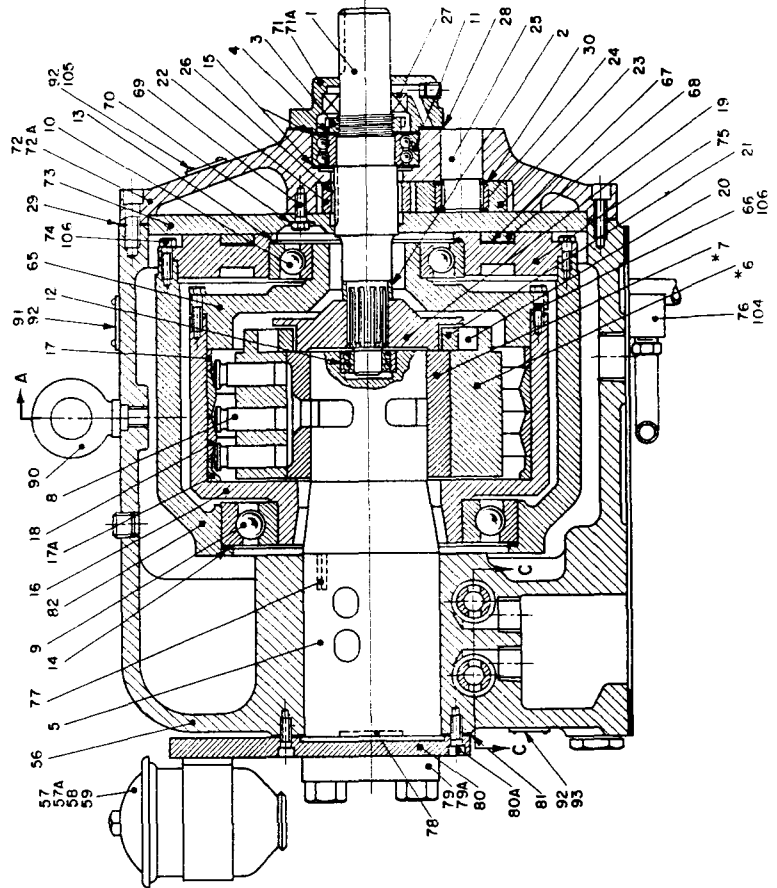
SECTION E-E



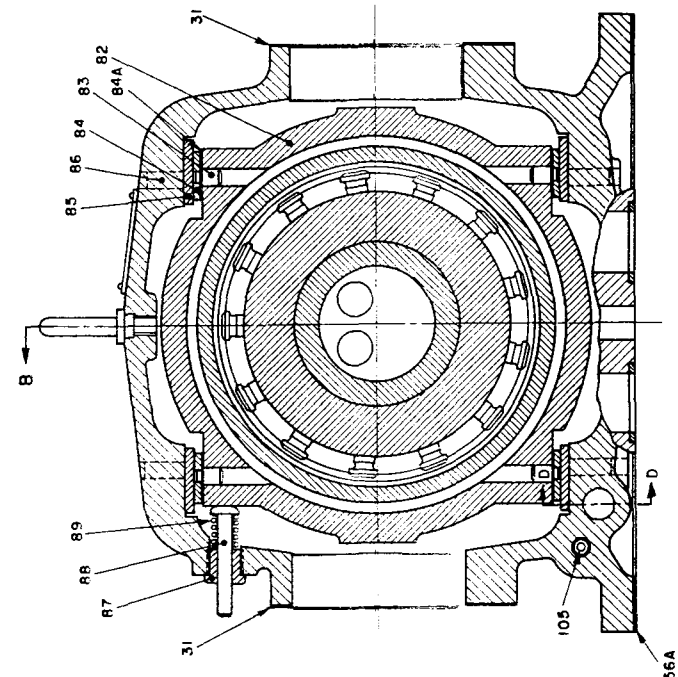
SECTION C-C



SECTION C-C



SECTION B-B



SECTION A-A

ISSUED: SEPT. 1961

THE OILGEAR COMPANY
 MILWAUKEE 4, WISCONSIN U.S.A.

DS-947916

LITHO IN U.S.A. 503293

PARTS LIST
OILGEAR TYPE "D" VARIABLE DISPLACEMENT PUMPS
SIZES 2 THRU 60

Part No.	Description	Part No.	Description
1.	Shaft, Drive	48.	Plug, Pipe
2.	Spacer, Coupling	49.	Spacer, G. P. R. V.
3.	Nut, Lock	*50.	Plunger, Dashpot
4.	Washer, Lock	*51.	Plunger, G. P. R. V.
5.	Pintle	52.	Spring, G. P. R. V.
*6.	Cylinder	53.	Shims, G. P. R. V.
*7.	Bushing, Cylinder	54.	Gasket, G. P. R. V. Cap
8.	Piston, Radial	55.	Cap, G. P. R. V.
9.	Bearing, Rear Rotor	56.	Case Pump
10.	Bearing, Front Rotor	56A.	Gasket, Pump Mtg.
11.	Bearing, Front Drive Shaft	57.	Assembly, Oil Filter
12.	Bearing, Rear Drive Shaft	57A.	Element, Filter
13.	Shims, Front Rotor Bearing	58.	Valve, Flow Control
14.	Shims, Rear Rotor Bearing	59.	Page, Filter
15.	Shims, Front Drive Shaft Bearing		
16.	Rotor	65.	Head, Rotor
17.	Ring, Spacer	66.	Screw, Rotor Head
17A.	Ring, Spacer	67.	Shims, Slideblock Cover
18.	Ring, Thrust	68.	Ring, Slideblock Spacer
19.	Flange, Coupling	69.	Screw, G. P. Cover
20.	Roller, Coupling	70.	Gasket, G. P. Cover Screw
21.	Ring, Coupling	71.	Gland, Oil Seal
22.	Gear, G. P. Driving	71A.	Screw, Sock. Hd. Cap
23.	Gear, G. P. Driven	72.	Housing, Gear Pump
24.	Bearing, Roller	72A.	Screw, Sock. Hd. Cap
25.	Shaft, Stub	73.	Cover, Gear Pump
26.	Key, Drive Shaft	74.	Screw, Slideblock Cover
27.	Seal, Oil	75.	Cover, Slideblock End
28.	Gasket, Seal Gland	76.	Tubing, w. Fittings
29.	Gasket, G. P. Housing	77.	Key, Pintle
30.	Spacer, Bearing	78.	Gasket, Flange
31.	Gasket, Control Mounting	79.	Flange, Pipe
*34.	Plunger, H. P. R. V.	80.	Cover, Pintle End
*35.	Bushing, H. P. R. V.	30A.	Screw, Sock. Hd. Cap
35A.	Plug, Bushing	81.	Gasket, Pintle Cover
35B.	Seal, O'Ring	82.	Slideblock
35C.	Ring, Retaining	83.	Pin, Dowel
37.	Seal, O'Ring	84.	Liner, Slideblock
38.	Cap, H. P. R. V.	84A.	Shims, Liner
38A.	Screw, Sock. Hd. Cap	85.	Liner, Case
39.	Gasket, H. P. R. V. Cap	86.	Pin, Dowel
40.	Screw, H. P. R. V. Adjusting	87.	Bushing, Indicator Stem
40A.	Nut, Adjusting Screw Lock	88.	Stem, Stroke Indicator
41.	Guide, Spring	89.	Spring, Indicator Stem
42.	Spring, H. P. R. V.	90.	Eyebolt
43.	Guide, Spring	91.	Plate, Name
44.	Retainer, Bushing	92.	Screw, Drive
45.	Shims, Retainer	93.	Plate, Cooler Inst.
46.	Gasket, Aux. Port	104.	Tubing, w. Fittings
47.	Cap, Aux. Port	105.	Plate, Rot. Name
47A.	Screw, Sock. Hd. Cap	106.	Wire, Lock

NOTE: * Parts numbered 6 & 7, 34 & 35, 50 & 51 are furnished only as assemblies.
 When ordering replacement parts be sure to include pump serial no., data sheet (DS) no. and part no..
 Specify type of hydraulic fluid for O'Rings, packings and seals.

O R I N G S I Z E S

Cross Section x I.D. x O.D. Duro ± 5

Part No.	4 - 3 - 12 Pumps	20 - 35 Pumps	60 Pumps
35B.			3/32 x 5/8 x 13/16 70
37.	3/32 x 11/16 x 1-1/16 70	1/8 x 1-1/2 x 1-3/4 70	1/8 x 1-5/8 x 1-7/8 70