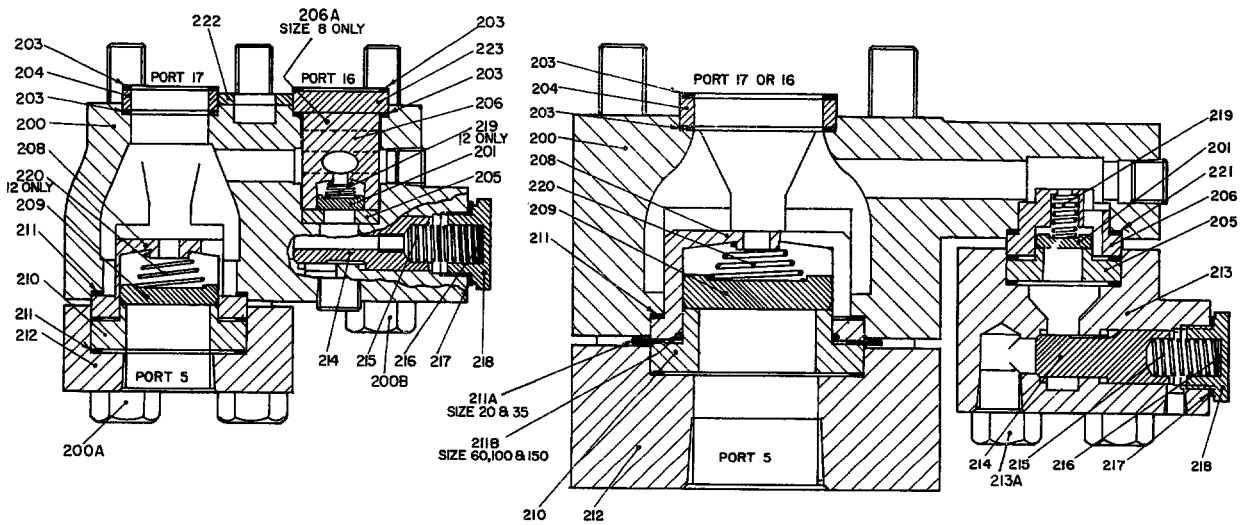
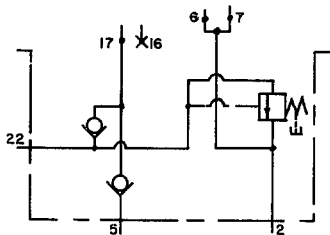


OILGEAR SUCTION VALVE

SUCTION CHECK & SUPERCHARGE CHECK TYPE

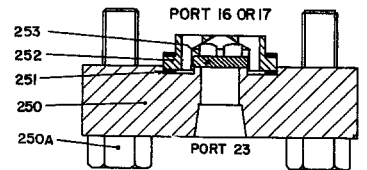
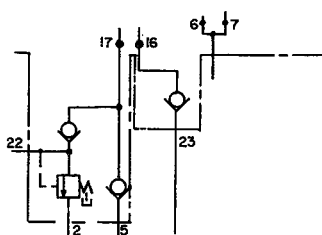


SIZE 8 & 12



WHEN THIS SUCTION VALVE IS USED, A CHECK VALVE FOR FREE FLOW FROM RESERVOIR TO PORT "A" IS NORMALLY USED.

SIZE 20 THRU 150



Part No.	Description
200.	Body, Suction Valve
200A.	Screw, Sock. Hd. Cap.
200B.	Bolt, Hex. Hd.
201.	Disc, Small Check
203.	Gasket, Spacer
204.	Spacer, Hollow
205.	Seat, Small Check
206.	Cage, Small Check
206A.	Spacer, Check Cage
208.	Cage, Large Check
209.	Disc, Large, Check
210.	Seat, Large Check
211.	Gasket, Cage
211A.	Gasket, Cage
211B.	Seal, O'ring
212.	Flange, Port 5
213.	Body, B. P. Rel. Valve
	1/8 Cross Section, 3 - 1/2 O. D, 90 Duro

Part No.	Description
213A.	Bolt, Hex. Hd.
214.	Plunger, B. P. R. V.
215.	Spring, B. P. R. V.
216.	Shims, B. P. R. V.
217.	Gasket, B. P. R. V.
218.	Cap, B. P. R. V.
219.	Spring, Small Disc.
220.	Spring, Large Disc.
221.	Gasket, BPRV Flange
222.	Gasket
223.	Spacer, Blank
250.	Flange, Check Valve
250A.	Bolt, Hex. Hd.
251.	Gasket, Cage
252.	Cage, Check
253.	Disc, Check

NOTE When ordering replacement parts, be sure to include unit serial number, data sheet (DS) number and part number. Specify type of hydraulic fluid used when ordering O'rings, seals, or packings.

PART SUPERCHARGE CHK., SUCTION CHK. TYPE
 DR. O'P. CH. App. 506405