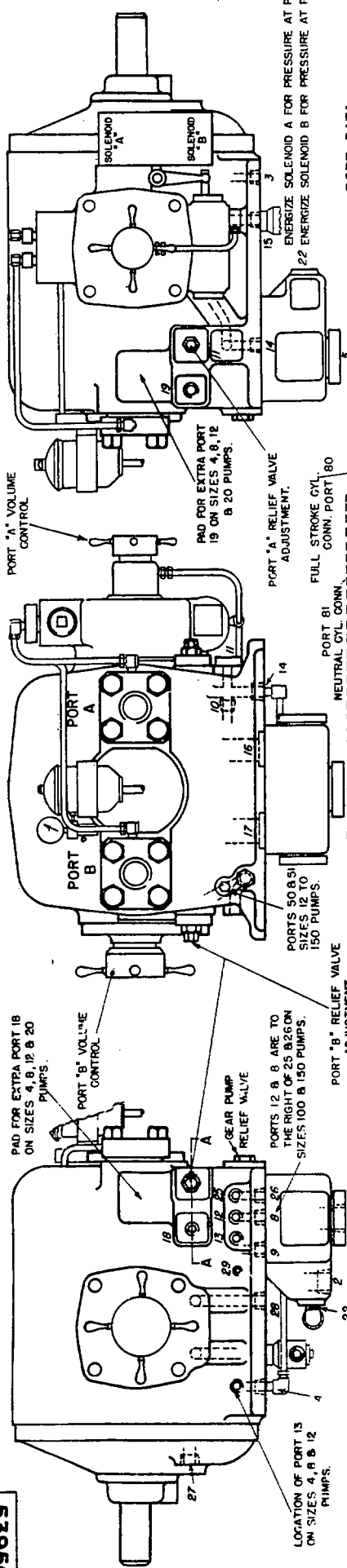


D-09635

DR. CES
APP. E. W.
REISSUED SEPT. 15, 1955

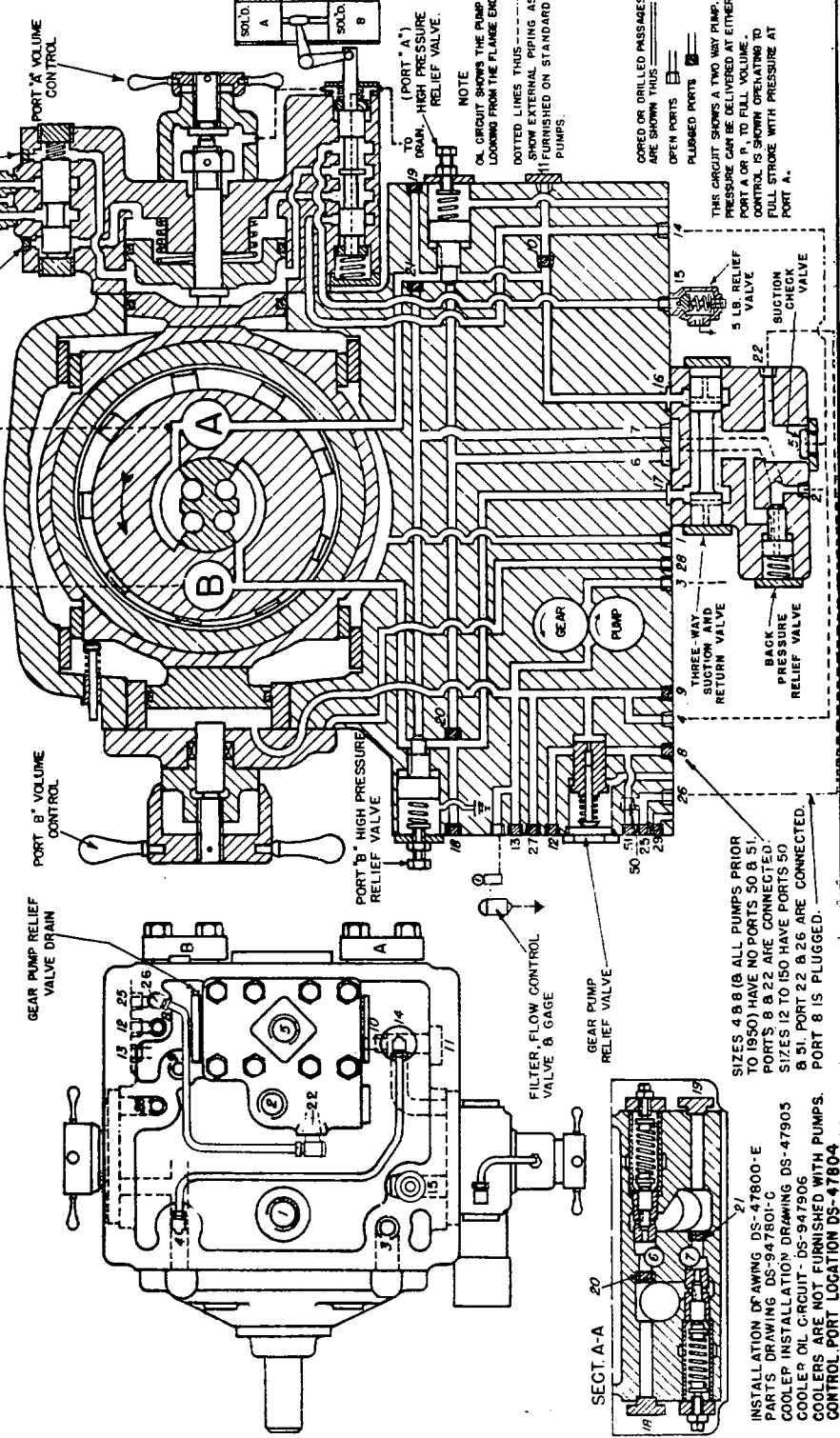
THE OILGEAR CO.

DS-947820-D



PORT DATA

PORT NO.	PUMP SIZE	PIPE TAP SIZE
A	HIGH PRESSURE CONN.	3/4 1 1 1/4 1 1/2 2 2 1/2 2 3/4 3
B	HIGH PRESSURE CONN.	3/4 1 1 1/4 1 1/2 2 2 1/2 2 3/4 3
1	CASE DRAIN	1/2 1/2 1/2 1/2 1/2 1/2 1/2 1/2 1/2 1/2 1/2
2	EXCESS RETURN EXHAUST	3/4 1 1 1/4 1 1/2 2 2 1/2 2 3/4 3
3	GEAR PUMP SUCTION	3/4 1 1 1/4 1 1/2 2 2 1/2 2 3/4 3
4	GEAR PUMP PRESSURE	1/2 1/2 3/8 1/2 3/8 3/4 1 1/2 1/2 1/2 1/2
5	PUMP SUCTION	1/2 1/2 3/8 1/2 3/8 3/4 1 1/2 1/2 1/2 1/2
6	'A' RELIEF VALVE EXHAUST	3/8 1/4 1/4 3/4 1 1/4 1/4 1/4 1/4 1/4 1/4
7	'B' RELIEF VALVE EXHAUST	3/8 1/4 1/4 3/4 1 1/4 1/4 1/4 1/4 1/4 1/4
8	GEAR PUMP REL. VLV. EXH.	1/2 1/2 1/2 1/2 1/2 1/2 1/2 1/2 1/2 1/2 1/2
9	GEAR PUMP PRESSURE	1/2 1/2 1/2 1/2 1/2 1/2 1/2 1/2 1/2 1/2 1/2
10	'A' SIDE TO CONTROL CONN.	1/4 1/4 1/4 3/8 3/8 3/4 1 1/4 1/4 1/4 1/4
11	'A' SIDE CONTROL CONN.	3/8 3/8 3/8 3/4 3/4 3/4 1 1/4 1/4 1/4 1/4
12	GEAR PUMP REL. VLV. EXH.	1/2 1/2 1/2 1/2 1/2 1/2 1/2 1/2 1/2 1/2 1/2
13	GEAR PUMP PRESSURE	1/2 1/2 1/2 1/2 1/2 1/2 1/2 1/2 1/2 1/2 1/2
14	'A' SIDE CONTROL CONN.	1/4 1/4 1/4 3/8 3/8 3/4 1 1/4 1/4 1/4 1/4
15	'A' SIDE CONTROL EXHAUST	3/8 3/8 3/8 3/4 3/4 3/4 1 1/4 1/4 1/4 1/4
16	'A' CORE SIZE	7/8 1 1 1/4 1 1/2 2 2 1/2 2 3/4 3
17	'B' CORE SIZE	7/8 1 1 1/4 1 1/2 2 2 1/2 2 3/4 3
18	'B' CORE CONNECTION	3/8 3/8 3/8 3/4 3/4 3/4 1 1/4 1/4 1/4 1/4
19	'A' CORE CONNECTION	3/8 3/8 3/8 3/4 3/4 3/4 1 1/4 1/4 1/4 1/4
20	'A' REL. VLV. CROSS CONN.	1/4 1/4 1/4 3/8 3/8 3/4 1 1/4 1/4 1/4 1/4
21	'B' REL. VLV. CROSS CONN.	1/4 1/4 1/4 3/8 3/8 3/4 1 1/4 1/4 1/4 1/4
22	STANDARD SUPERCHARGE	3/8 3/8 3/8 3/4 3/4 3/4 1 1/4 1/4 1/4 1/4
23	FULL STR. CYL. CONN.	1/4 1/4 1/4 3/8 3/8 3/4 1 1/4 1/4 1/4 1/4
24	NEUTRAL CYL. CONN.	1/4 1/4 1/4 3/8 3/8 3/4 1 1/4 1/4 1/4 1/4
25	AUXILIARY CONN.	1/2 1/2 1/2 1/2 1/2 1/2 1/2 1/2 1/2 1/2 1/2
26	AUXILIARY CONN.	1/2 1/2 1/2 1/2 1/2 1/2 1/2 1/2 1/2 1/2 1/2
27	GEAR PUMP PRESSURE	1/2 1/2 1/2 1/2 1/2 1/2 1/2 1/2 1/2 1/2 1/2
28	'B' SIDE CONTROL EXHAUST	3/8 3/8 3/8 3/4 3/4 3/4 1 1/4 1/4 1/4 1/4
29	OIL FILTER DRAIN	- - - - - 1/8 1/8 1/4 1/4
30	G.P.R.V. EXHAUST	- - - - - 3/8 3/8 1/2 1/2 1/2 1/2
31	ACCESS PORT TO PORT NO.	- - - - - 1/2 1/2 3/4 3/4 3/4 3/4



OILGEAR TYPE "DX" PUMP

53950-0

INSTALLATION DRAWING DS-47800-E
PARTS DRAWING DS-947801-C
COOLER INSTALLATION DRAWING DS-47905
COOLER OIL CIRCUIT-DS-947906
COOLERS ARE NOT FURNISHED WITH PUMPS.
CONTROL PORT LOCATION DS-47804

NOTE
OIL CIRCUIT SHOWS THE PUMP
LOOKING FROM THE FLANGE END
DOTTED LINES THUS-
SHOW EXTERNAL PIPING AS
FURNISHED ON STANDARD
PUMPS.