

PARTS LIST
OILGEAR TYPE "DV-H" VARIABLE DELIVERY PUMPS
SIZES 8 THRU 60

Part No.	Description	Part No.	Description	Part No.	Description
1.	Shaft, Drive	45.	Shims, Retainer	84A.	Shims, Liner
2.	Spacer, Coupling	46.	Gasket, Aux. Port	85.	Liner, Case
3.	Nut, Lock	47.	Cap, Aux. Port	86.	Pin, Dowel
4.	Washer, Lock	47A.	Screw, Sock. Hd. Cap	87.	Bushing, Indicator Stem
5.	Pintle	48.	Plug, Pipe	88.	Stem, Stroke Indicator
*6.	Cylinder	49.	Spacer, G. P. R. V.	89.	Spring, Indicator Stem
*7.	Bushing, Cylinder	*50.	Plunger, Dashpot	90.	Eyebolt
8.	Piston, Radial	*51.	Plunger, G. P. R. V.	91.	Plate, Name
9.	Bearing, Rear Rotor	52.	Spring, G. P. R. V.	92.	Screw, Drive
10.	Bearing, Front Rotor	53.	Shims, G. P. R. V.	93.	Plate, Cooler Inst.
11.	Bearing, Frt. Dr. Shft.	54.	Gasket, G. P. R. V. Cap	104.	Tubing, w/Fittings
12.	Bearing, Rear Dr. Shft.	55.	Cap, G. P. R. V.	105.	Plate, Rot. Name
13.	Shims, Front Rotor Brg.	56.	Case, Pump	106.	Wire, Lock
14.	Shims, Rear Rotor Brg.	56A.	Gasket, Pump Mtg.		
15.	Shims, Frt. Dr. Shft. Brg.	57.	Assembly, Oil Filter	200.	Body, Suction Valve
16.	Rotor	57A.	Element, Filter	200A.	Screw, Sock. Hd. Cap
17.	Ring, Spacer	58.	Valve, Flow Control	201.	Plunger, Suction Valve
17A.	Ring, Spacer	59.	Gage, Filter	202.	Seal, O'Ring
18.	Ring, Thrust	60.	Adapter, Control Piston	203.	Seal, O'Ring
19.	Flange, Coupling	61.	Screw, Cont. Piston Adp. **	203A.	Gasket
20.	Roller, Coupling	62.	Piston, Control	204.	Retainer, O'Ring
21.	Ring, Coupling	62A.	Shims, Control Piston	205.	Seal, O'Ring
22.	Gear, G. P. Driving	63.	Ring, Piston	206.	Flange, Plunger
23.	Gear, G. P. Driven	64.	Screw, Control Piston	206A.	Screw, Sock. Hd. Cap
24.	Bearing, Roller	65.	Head, Rotor	207.	Cage, Check Valve
25.	Shaft, Stub	66.	Screw, Rotor Head	208.	Seal, O'Ring
26.	Key, Drive Shaft	67.	Shims, Slideblock Cover**	208A.	Gasket
27.	Seal, Fluid	68.	Ring, Slideblock Spacer	209.	Disc, Check Valve
28.	Gasket, Seal Gland	69.	Screw, G. P. Cover	210.	Seat, Check Valve
29.	Gasket, G. P. Housing	70.	Gasket, G.P. Cover Screw	211.	Screw, Sock. Hd. Cap
30.	Spacer, Bearing	71.	Gland, Oil Seal	212.	Flange, Suction
31.	Gasket, Control Mounting	71A.	Screw, Sock. Hd. Cap	213.	Plug, Orifice
32.	Gasket, Control Adapter	72.	Housing, Gear Pump	214.	Plunger, B. P. R. V.
33.	Gasket, Piston Screw	72A.	Screw, Sock. Hd. Cap	215.	Spring, B. P. R. V.
*34.	Plunger, H. P. R. V.	73.	Cover, Gear Pump	216.	Shim, B. P. R. V.
*35.	Bushing, H. P. R. V.	74.	Screw, Slideblock Cover	216A.	Shim, Washer
35A.	Plug, Bushing	75.	Cover, Slideblock End	217.	Gasket, B. P. R. V.
35B.	Seal, O'Ring	76.	Tubing, w/Fittings	218.	Flange, B. P. R. V.
35C.	Ring, Retaining	77.	Key, Pintle	219.	Screw, Sock. Hd. Cap
37.	Seal, O'Ring	78.	Gasket, Flange	220.	Spring, Check Valve
38.	Cap, H. P. R. V.	79.	Flange, Pipe	221.	Spring, Plunger
38A.	Screw, Sock. Hd. Cap	79A.	Screw, Sock. Hd. Cap	222.	Retainer, O'Ring
39.	Gasket, H. P. R. V. Cap	80.	Cover, Pintle End	223.	Plug, Pipe
40.	Screw, H. P. R. V. Adj.	80A.	Screw, Sock. Hd. Cap		
40A.	Nut, Adj. Screw Lock	81.	Gasket, Pintle Cover	390.	Head, End
41.	Guide, Spring	82.	Slideblock	390A.	Screw, Sock. Hd. Cap
42.	Spring, H. P. R. V.	83.	Pin, Dowel	391.	Plug, Pipe
43.	Guide, Spring	84.	Liner, Slideblock	392.	Plug Orifice
44.	Retainer, Bushing			393.	Plug, Pipe

Note: * Parts numbered 6 & 7, 34 & 35, A, B, C, 50 & 51 are furnished only as assemblies.

** Applicable to size 12 & 20 units only.

When ordering replacement parts be sure to include unit serial no., data sheet (DS) no. and part no.
Specify type of hydraulic fluid for O'Rings, packings and seals.

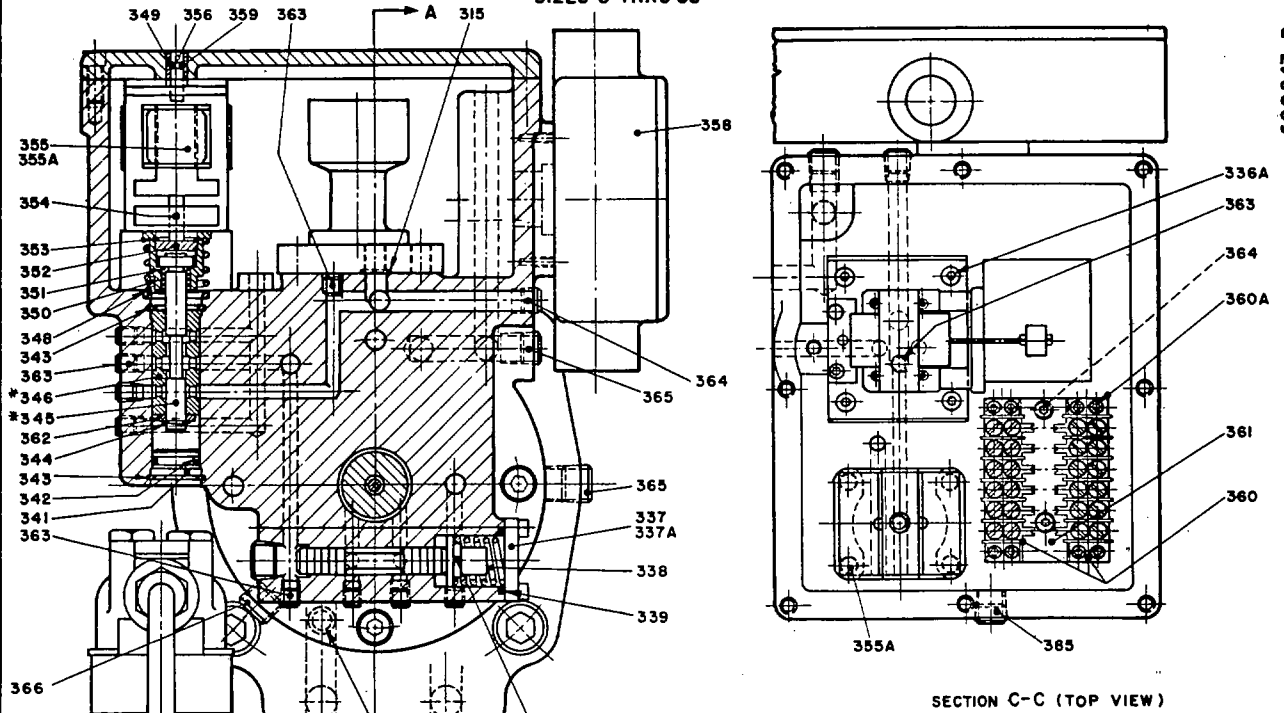
O'RING SIZES

Part No.	Pump Size	Cross Section	x	O.D.	Duro ± 5	Part No.	Pump Size	Cross Section	x	O.D.	Duro ± 5
35B.	60	3/32	x	13/16	70	203.	35	3/16	x	2-7/8	90
37.	8 & 12	3/32	x	1-1/16	70	205.	60	3/16	x	3-5/8	90
	20 & 35	1/8	x	1-3/4	70		35	1/8	x	2-3/8	90
202.	60	1/8	x	1-7/8	70	208.	60	1/8	x	3	90
	12	1/8	x	1-5/8	90		35	3/16	x	3-5/8	90
	20	1/8	x	2	90		60	3/16	x	4-3/8	90
	35	3/16	x	3-7/8	70						
	60	3/16	x	3-5/8	70						

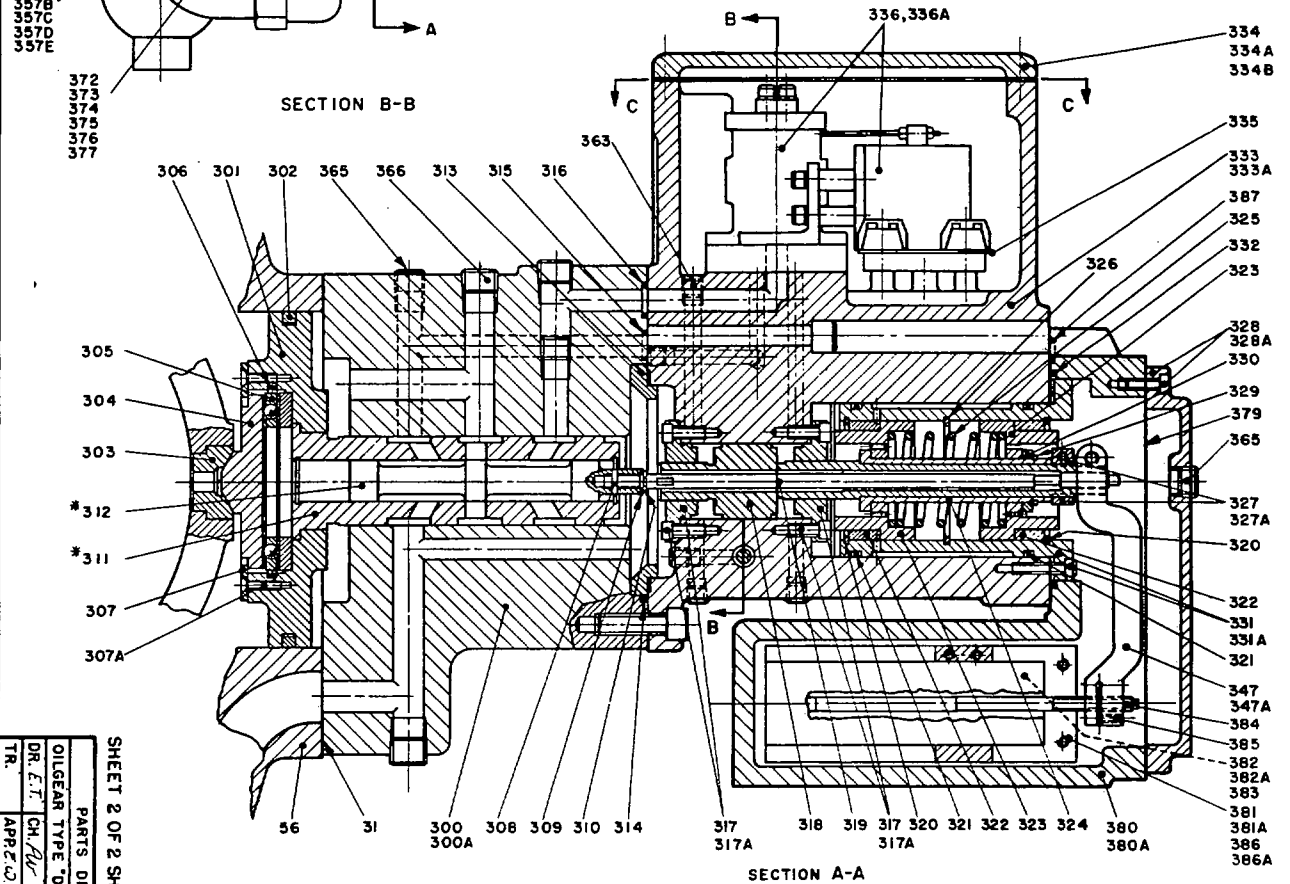
OILGEAR TYPE "DVH" TWO-WAY VARIABLE DELIVERY PUMPS
 WITH ELECTRO-HYDRAULIC SERVOCONTROL
 CONTROL PARTS DRAWING



SIZES 8 THRU 35



NOTE:
 * PART No's. 311 & 312, 345 & 346
 FURNISHED AS ASSEMBLIES ONLY.



SHEET 2 OF 2 SHEETS.
 PARTS DRAWING
 OILGEAR TYPE "DVH" PUMPS
 DR. E. T. CH. R. W.
 TR. APR 20 1961
 500847-B

REISSUED- NOV., 1961

THE OILGEAR COMPANY
 MILWAUKEE 4, WISCONSIN, U.S.A.

SHEET 2 OF 2 SHEETS.

DS-947740-B

500847-B

**CONTROL PARTS LIST
OILGEAR TYPE "DV-H" PUMPS
SIZES 8 THUR 35**

Part No.	Description	Part No.	Description	Part No.	Description
300.	Housing, Hyd. Ampl.	330.	Ring, Spacer	357.	Assem., Oil Filter
300A.	Screw, Sock. Hd. Cap	331.	Cylinder, Centering	357A.	Nut Ermeto
301.	Piston, Control	331A.	Screw, Sock. Hd. Cap	357B.	Gasket, Ermeto
302.	Ring, Piston	332.	Seal, O'ring	357C.	Ring, Ermeto
303.	Cup, Thrust	333.	Housing, Control	357D.	Elbow, Ermeto
304.	Plate, Thrust	333A.	Screw, Sock. Hd. Cap	357E.	Element, Filter
305.	Bearing, Thrust	334.	Cover, Housing	358.	Assem., Outlet Box
306.	Ring, Snap	334A.	Screw, Sock. Hd. Cap	359.	Seal, O'ring
307.	Plate Retaining	334B.	Gasket, Cover	360.	Board, Terminal
307A.	Screw, Flt. Hd. Mach.	335.	Strip, Back-up	360A.	Screw, Sock. Hd. Cap
308.	Pin, Roll	336.	Assembly, Servo Valve	361.	Plate, Backing
309.	Spacer, Plunger	336A.	Screw, Sock. Hd. Cap	362.	Spacer, Plunger
310.	Ring, Retaining	337.	Cover, Plunger	363.	Plug, 1/16" Pipe
* 311.	Bushing, Plunger	337A.	Screw, Sock. Hd. Cap	364.	Plug, 1/8" Pipe
* 312.	Plunger, Amplifier	338.	Spring, By-pass Plunger	365.	Plug, 1/4" Pipe
313.	Adapter, Control	339.	Seal, O'ring	366.	Plug, 3/8" Pipe
314.	Seal, O'ring	340.	Plunger, By-pass	372.	Elbow, Ermeto
315.	Seal, O'ring	341.	Plug, Sealing	373.	Elbow, Ermeto
316.	Seal, O'ring	342.	Seal, O'ring	374.	Nut, Ermeto
317.	Gland, Stroker Piston	343.	Ring, Retaining	375.	Sleeve, Ermeto
317A.	Screw, Sock. Hd. Cap.	344.	Ring, Retaining	376.	Nipple, 3/8" Steel
318.	Piston, Stroker	* 345.	Plunger, Fail-safe	377.	Tube, Seam. Stl.
319.	Stem, Piston	* 346.	Bushing, Plunger	379.	Gasket, L. V. D. T. Cover
320.	Ring, Retaining	347.	Collar, Outer Clamping	380.	Housing, L. V. D. T.
321.	Seal, O'ring	347A.	Screw, Sock. Hd. Cap	380A.	Screw, Sock. Hd. Cap
322.	Liner, Center. Cyl.	348.	Spring, Cage	381.	Assem., L. V. D. T.
323.	Piston, Center. Cyl.	349.	Bushing, Rod	381A.	Screw, Sock. Hd. Cap
324.	Spacer, Center. Cyl.	350.	Cage, Spring	382.	Cover, L. V. D. T.
325.	Spring, Center. Cyl.	351.	Spring, Plunger	382A.	Screw, Sock. Hd. Cap
326.	Ring, Retaining	352.	Disc, Push Rod	383.	Gasket, Cover
327.	Collar, Clamping	353.	Ring, Retaining	384.	Stem, L. V. D. T.
327A.	Screw, Sock. Hd. Cap	354.	Pin Solenoid	385.	Screw, 1/2 Dog. Pt. Set
328.	Cover, End	355.	Solenoid	386.	Clamp, Cable
328A.	Screw, Sock Hd. Cap	355A.	Screw, Sock. Hd. Cap	386A.	Screw, Sock. Hd. Cap
329.	Ring, Retaining	356.	Rod, Sol. Push	387.	Seal, O'ring

Note: *Parts numbered 311 & 312, 345 & 346 are furnished only as assemblies.

When ordering replacement parts, be sure to include pump serial no., part no., and data sheet (DS) no. Specify type of hydraulic fluid for O'rings, packings and seals.

O'RING SIZES

Part No.	(Cross Section x I. D. x O. D. Duro \pm 5)			
314.	1/8	4-1/4	4-1/2	90
315.	1/16	3/8	1/2	70
316.	3/32	9/16	3/4	70
321.	1/8	2-1/2	2-3/4	90
332.	1/8	3-7/8	4-1/8	90
339.	1/8	15/16	1-3/16	90
342.	3/32	11/16	7/8	70
359.	1/16	1/8	1/4	70
387.	3/32	9/16	3/4	70