



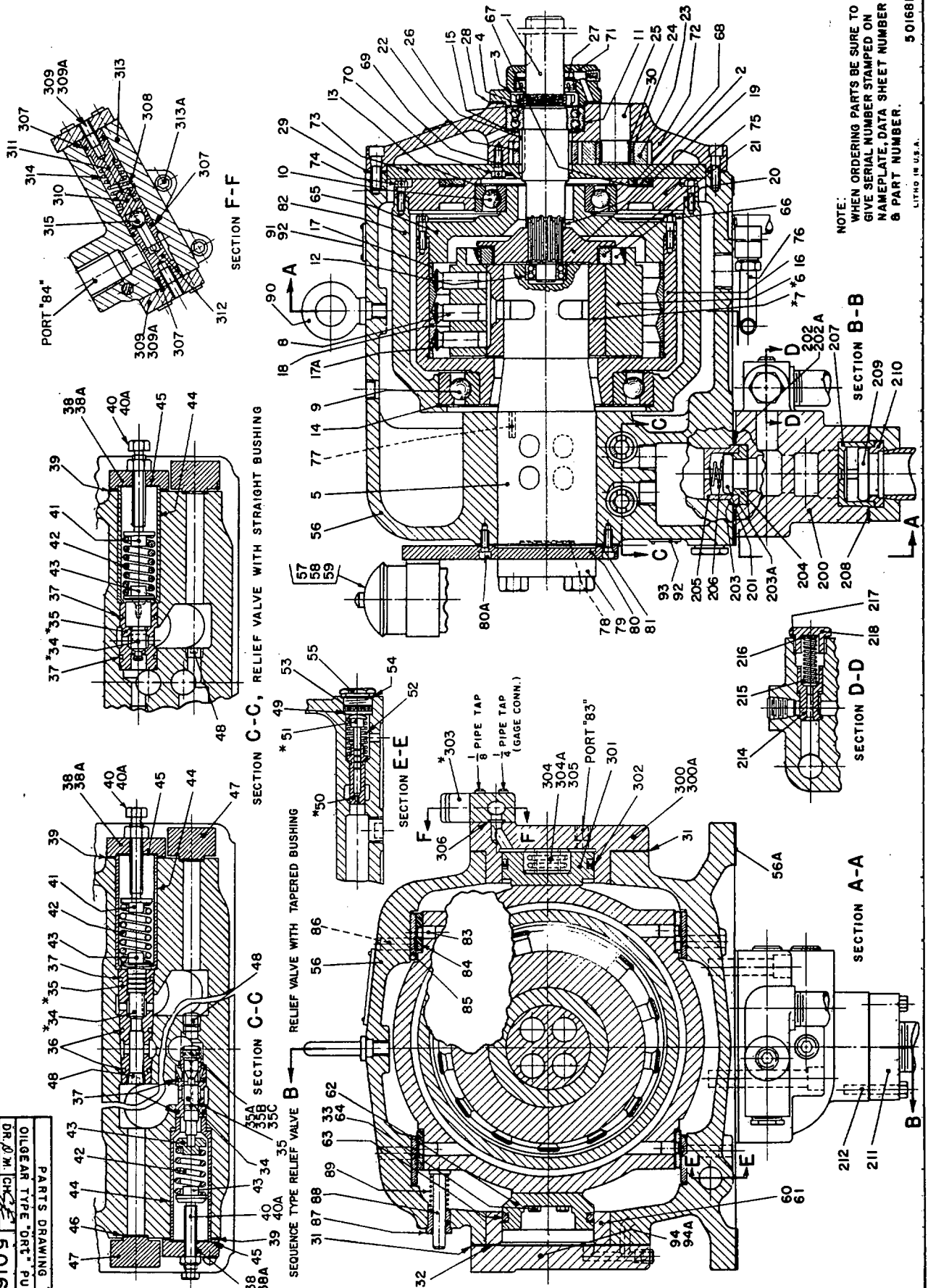
# TYPE "DRT" ONE-WAY VARIABLE DELIVERY PUMPS

189105	APP'D	CHK'D	REV'D	PAR
DR	DR	DR	DR	DR
10	10	10	10	10
10	10	10	10	10
10	10	10	10	10

ISSUED: OCT. , 1960

THE OILGEAR COMPANY  
MILWAUKEE 4, WISCONSIN, U.S.A.

DS-947610



NOTE: WHEN ORDERING PARTS BE SURE TO GIVE SERIAL NUMBER STAMPED ON NAMEPLATE, DATA SHEET NUMBER & PART NUMBER.  
LITNO 14 U.S.A. 501681

PARTS LIST  
OILGEAR TYPE "Drt" PUMPS

Part No.	Description	Part No.	Description	Part No.	Description
1.	Shaft, Drive	44.	Retainer, Bushing	91.	Plate, Name
2.	Spacer, Coupling	45.	Shim, Retainer	92.	Screw, Drive
3.	Nut, Lock	46.	Gasket, Aux. Port	94.	Head, Control
4.	Washer, Lock	47.	Flange, Aux. Port	94A.	Screw, Sock. Hd. Cap
5.	Pintle	48.	Plug, Pipe		
*6.	Cylinder	49.	Spacer, G.P.R.V.		
*7.	Bushing, Cylinder	*50.	Plunger, Dashpot	200.	Body, Suction Valve
8.	Piston, Radial	*51.	Plunger, G.P.R.V.	200A.	Screw, Sock. Hd. Cap
9.	Bearing, Rear Rotor	52.	Spring, G.P.R.V.	201.	Disc., Check Valve
10.	Bearing, Front Rotor	53.	Shims, G.P.R.V.	202.	Gasket, H. P. Exhaust
11.	Bearing, Frt. Dr. Shaft	54.	Gasket, G.P.R.V.	202A.	Retainer, H.P. Discharge
12.	Brg., Rear Drive Shaft	55.	Cap, G.P.R.V.	203.	Gasket, Upper Cage
13.	Shim, Front Rotor Brg.	56.	Case, Pump	203A.	Retainer, H.P. Chk. Gasket
14.	Shim, Rear Rotor Brg.	56A.	Gasket, Pump Mounting	204.	Seat, Check Valve
15.	Shim, Frt. Dr. Shaft Brg.	57.	Filter, Oil	205.	Cage, Check Valve
16.	Rotor	58.	Valve, Flow Control	206.	Spring, Check Valve
17.	Ring, Spacer	59.	Gage, Filter	207.	Cage, Suction Flange
17A.	Ring, Spacer	60.	Adapter, Control Cyl.	208.	Gasket, Suct. Flange
18.	Ring, Thrust	61.	Screw, Control Piston Adpt.	209.	Disc, Suct. Chk. Valve
19.	Flange, Coupling	62.	Piston, Control	210.	Seat, Suct. Chk. Valve
20.	Roller, Coupling	63.	Ring, Piston	211.	Flange, Suction
21.	Ring, Coupling	64.	Screw, Control Piston	212.	Screw, Suct. Flange
22.	Gear, Gear Pump Driving	65.	Head, Rotor	214.	Plunger, B.P.R.V.
23.	Gear, Gear Pump Driven	66.	Screw, Rotor Head	215.	Spring, B.P.R.V.
24.	Bearing, Roller	67.	Shims, Slideblock Cover	216.	Shim, B.P.R.V.
25.	Shaft, Stub	68.	Ring, Slideblock Spacer	217.	Gasket, B.P.R.V.
26.	Key, Drive Shaft	69.	Screw, Gear Pump Cover	218.	Cap, B.P.R.V.
27.	Seal, Oil	70.	Gasket, G.P. Cover Screw		
28.	Gasket, Front Cover	71.	Housing, Oil Seal		
29.	Gasket, Gear Pump Hsg.	72.	Housing, Gear Pump	300.	Housing, Control
30.	Spacer, Bearing	73.	Cover, Gear Pump	300A.	Screw, Sock. Hd. Cap
31.	Gasket, Control Mtg.	74.	Screw, Slideblock Cover	301.	Piston, Control
32.	Gasket, Control Adapter	75.	Head, Slideblock	302.	Packing, Block "Vee"
33.	Gasket, Piston Screw	76.	Tubing, w/Ermeto Fittings	303.	Assembly, Relief Valve
*34.	Plunger, H.P.R.V.	77.	Key, Pintle	304.	Spacer, Adjustable
*35.	Bushing, H.P.R.V.	78.	Gasket, Flange	304A.	Screw, Sock. Hd. Cap
35A.	Plug, Bushing	79.	Flange, Pipe	305.	Screw, Adjusting
35B.	Packing, O'Ring	80.	Cover, Pintle End	306.	Packing, O'Ring
35C.	Ring, Retaining	81.	Gasket, Pintle Cover	307.	Packing, O'Ring
36.	Packing, O'Ring	82.	Slideblock	308.	Packing, O'Ring
37.	Packing, O'Ring	83.	Pin, Dowel	309.	Cap, Relief Valve
38.	Cap, H.P.R.V.	84.	Liner, Slideblock	309A.	Screw, Sock. Hd. Cap
38A.	Screw, Sock. Hd. Cap	84A.	Shims, Liner	310.	Cage, Spring
39.	Gasket, H.P.R.V.	85.	Liner, Case	311.	Guide, Spring
40.	Screw, H.P.R.V. Adj.	86.	Pin, Dowel	312.	Seat, Relief Valve
40A.	Nut, Adj. Screw Lock	87.	Bushing, Indicator	313.	Body, Relief Valve
41.	Guide, Spring	88.	Stem, Indicator	313A.	Screw, Sock. Hd. Cap
42.	Spring, H.P.R.V.	89.	Spring, Indicator	314.	Spring, Relief Valve
43.	Guide, Spring	90.	Eye, Bolt	315.	Ball, Hard. Steel

\* Parts 6 & 7, 34 & 35, 50 & 51 furnished as assemblies only

NOTE: When ordering replacement parts, include pump serial number, part number, and data sheet (DS) number. When ordering O'Rings & seals, specify type of fluid used.

O R I N G   S I Z E S  
(Cross Section x I.D. x O.D. x Duro ± 5)

Part No.	Pump Size		
	8-12	20-35	60-100-150
	Tapered Bushing H.P.R.V.		
36	3/32 x 11/16 x 7/8 x 70	1/8 x 1-1/4 x 1-1/2 x 70	1/8 x 1-1/2 x 1-3/4 x 70
37	3/32 x 3/4 x 15/16 x 70	1/8 x 1-7/16 x 1-11/16 x 70	1/8 x 1-5/8 x 1-7/8 x 70
	Straight Bushing H.P.R.V.		
37	3/32 x 11/16 x 1-7/8 x 70	1/8 x 1-1/2 x 1-3/4 x 70	1/8 x 1-5/8 x 1-7/8 x 70
	Sequence Type H.P.R.V.		
35B			3/32 x 5/8 x 13/16 x 70
37			1/8 x 1-5/8 x 1-7/8 x 70
	Suction Valve		
202		3/16 x 3-1/2 x 3-7/8 x 90	1/8 x 4-3/8 x 4-5/8 x 90
203		3/16 x 2-3/8 x 2-3/4 x 90	3/16 x 3-1/4 x 3-5/8 x 90
208		1/8 x 3-1/4 x 3-1/2 x 90	
217		1/8 x 1-3/16 x 1-7/16 x 90	
	Control (All Sizes)		
306		1/16 x 3/8 x 1/2 x 70	
307		3/32 x 7/16 x 5/8 x 70	
308		3/32 x 9/16 x 3/4 x 70	