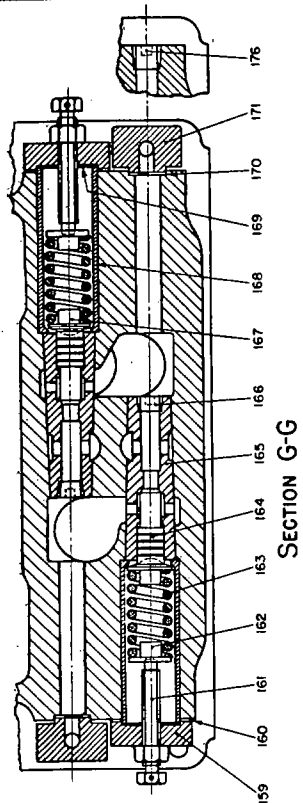


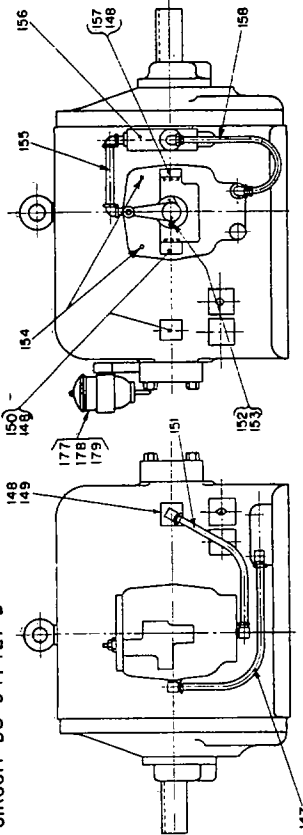
INSTALLATION DRAWING DS-47401-E
OIL CIRCUIT DS-947421-B

COOLER INSTALLATION DRAWING DS-47905
COOLER OIL CIRCUIT DS-947906

REPAIR PARTS OWN	
DRAWN BY	DHP PUMPS
APP	54811B

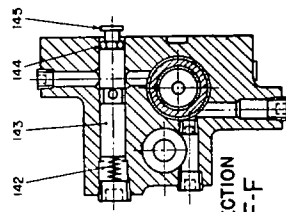


SECTION G-G



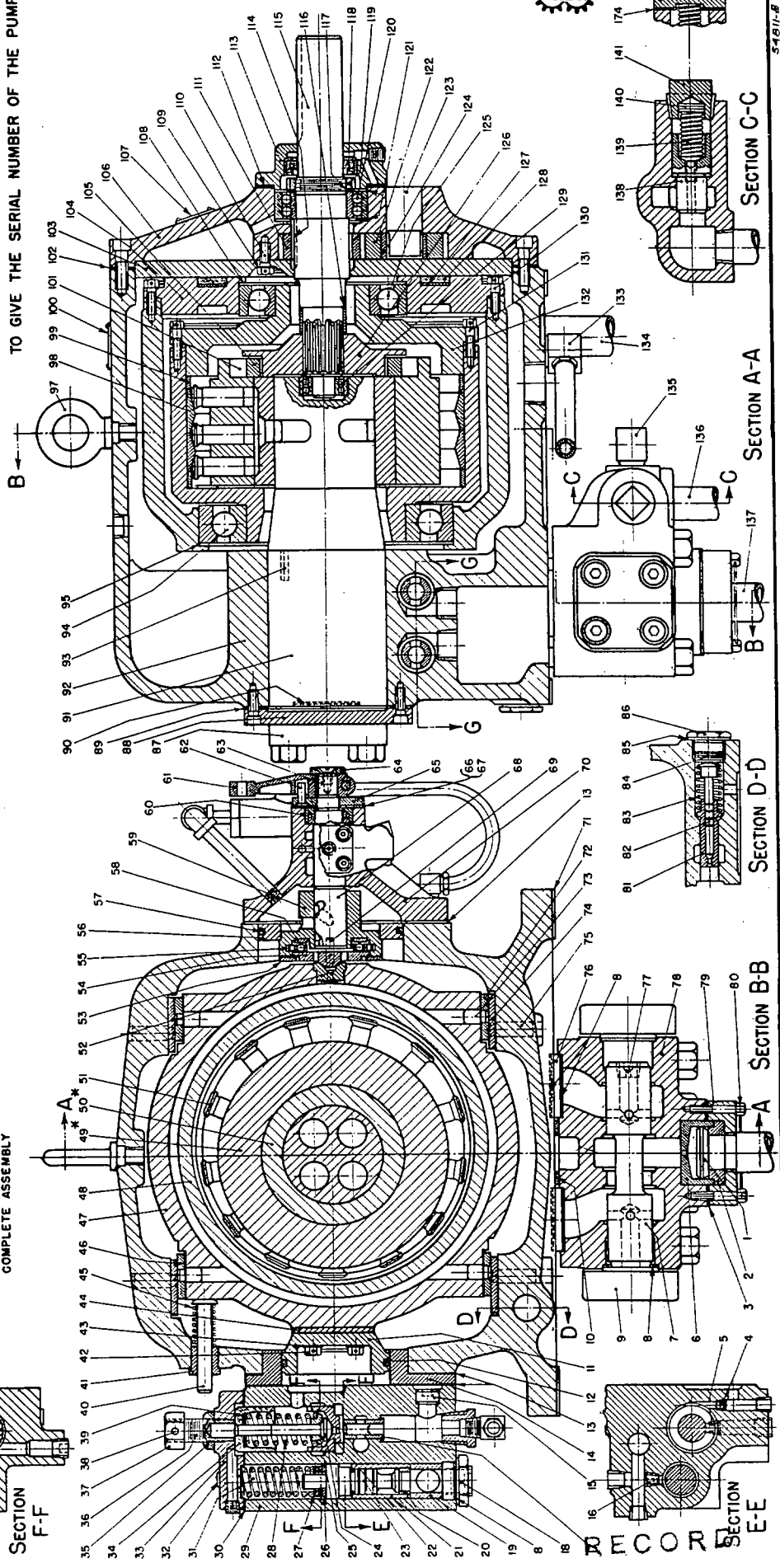
SIDE VIEWS OF PUMP.

* ITEMS 49 & 50 ARE FURNISHED ONLY AS COMPLETE ASSEMBLY



SECTION F-F

TYPE "DHP" PUMPS



SECTION C-C

SECTION A-A

SECTION D-D

SECTION B-B

SECTION E-E



54811-B

PARTS LIST
OILGEAR "DHP" PUMPS

NO.	PARTS	NO.	PARTS	NO.	PARTS
1.	Disc, Check Valve	61.	Lever, Control	121.	Shim, Front Shaft Bearing
2.	Seat, Check Valve	62.	Pin, Limit	122.	Gear, Driven
3.	Gasket, Flange	63.	Key, Woodruff	123.	Shaft, Gear Pump Stub
4.	Choke, Pilot Valve Chatter	64.	Washer Lever Retaining	124.	Bearing, Driven Gear
5.	Choke, Unloading Speed	65.	Gland, Oil Seal	125.	Bearing, Front Rotor
6.	Cage, Check Valve	66.	Shim, Plunger Clearance	126.	Flange, Coupling
7.	Plunger, Reversing Valve	67.	Shim, Plunger Clearance	127.	Shim, Spacer Ring
8.	Gasket, Valve Head	68.	Plunger, Control	128.	Ring, Slide Block Spacer
9.	Head, Reversing Valve	69.	Pin, Locating	129.	Bearing, Rear Shaft
10.	Gasket, Suction Valve Body	70.	Housing, Control	130.	Screw, Slide Block Cover
11.	Piston, Small Control	71.	Gasket, Mounting	131.	Screw, Rotor Cover
12.	Ring, Small Piston	72.	Liner, Slide Block	132.	Rotor Cover
13.	Gasket, Control Mounting	73.	Dowel, Slide Block Liner	133.	Tubing, Port 4 to 14
14.	Spacer, Control	74.	Liner, Case	134.	Tubing, G.P. Suction
15.	Bushing, H.P. Inlet	75.	Dowl, Case Liner	135.	Tubing, Port 22 to 26
16.	Choke, Control R.V.	76.	Spacer, Suction Valve Body	136.	Tubing, B.P.R.V. Discharge
17.	Bushing, Pilot R.V.	77.	Plug, Suction Valve Choke	137.	Tubing, Pump Suction
18.	Plug, Control R.V.	78.	Body, Suction Valve	138.	Plunger, B.P.R.V.
19.	Spacer, Control R.V.	79.	Flange, Check Valve	139.	Spring, B.P.R.V.
20.	Seat, Control R.V.	80.	Screw, Flange Mounting	140.	Shim, Washer
21.	Sleeve, Control R.V.	81.	Plunger, G.P.R.V.	141.	Plug, B.P.R.V.
22.	Plunger, Pilot R.V.	82.	Plunger, G.P.R.V. Dashpot	142.	Spring, Neutral Stop Plunger
23.	Plunger, Control R.V.	83.	Spring, G.P.R.V.	143.	Plunger, Neutral Stop
24.	Guide, Pilot R.V. Spring	84.	Spacer, G.P.R.V.	144.	Nut, Lock
25.	Seat, Pilot R.V. Spring	85.	Gasket, G.P.R.V. Cap	145.	Screw, Neutral Stop Adj.
26.	Shim, Control R.V. Lower	86.	Cap, G.P.R.V.	146.	
27.	Shim, Control R.V. Upper	87.	Flange, Connection	147.	Tubing, G.P. to Pilot Valve
28.	Spring, Pilot R.V.	88.	Cover, Pintle	148.	Gasket, Flange
29.	Head, Control Cylinder	89.	Gasket, Pintle Cover	149.	Flange, Auxiliary Port 18
30.	Gasket, Spring Cover	90.	Gasket, Flange	150.	Flange, Blank
31.	Spring, Control R.V.	91.	Pintle	151.	Tubing, Pt. 18 - Pilot Valve
32.	Nameplate, Control	92.	Case	152.	Screw, Limit
33.	Cover, Spring	93.	Key, Pintle Locating	153.	Pin, Lock
34.	Piston, Pilot R.V. Guide	94.	Bearing, Rear Rotor	154.	Pin, Dowel
35.	Nut, Lock	95.	Shim, Rear Rotor Bearing	155.	Tubing, Cont. to R.V.
36.	Screw, Pilot R.V. Adj.	96.		156.	Valve, Aux. Control Relief
37.	Nut, Limit	97.	Eyebolt	157.	Flange, Blank
38.	Pin, Adjusting Screw	98.	Ring, Thrust	158.	Tubing, R.V. to Drain
39.	Shim, Pilot Piston	99.	Ring, Spacer	159.	Cap, H.P.R.V.
40.	Stem, Indicator	100.	Nameplate	160.	Gasket, H.P.R.V. Cap
41.	Bushing, Indicator	101.	Roller, Coupling	161.	Screw, H.P.R.V. Adjusting
42.	Screw, Small Control Piston	102.	Gasket, G.P. Housing	162.	Seat, H.P.R.V. Spring
43.	Gasket, Screw	103.	Cover, Gear Pump	163.	Spring, H.P.R.V.
44.	Spacer, Piston	104.	Cover, Slide Block	164.	Plunger, H.P.R.V.
45.	Spring, Indicator	105.	Ring, Coupling	165.	Bushing, H.P.R.V.
46.	Shim, Slide Block Liner	106.	Housing, Gear Pump	166.	Plug, Bushing
47.	Block, Slide	107.	Plate, Rotation Direction	167.	Seat, H.P.R.V. Spring
48.	Rotor	108.	Shim, Front Rotor Bearing	168.	Retainer, H.P.R.V. Bushing
49.	Cylinder*	109.	Gasket, G.P. Cover Screw	169.	Shim, Retainer
50.	Bushing, Cylinder*	110.	Screw, G.P. Cover	170.	Gasket, Flange
51.	Piston	111.	Gear, Driver	171.	Flange
52.	Cup, Thrust	112.	Gasket, Gland	172.	
53.	Ring, Bearing Retainer	113.	Gland, Shaft Seal	173.	
54.	Plate, Thrust	114.	Key, G.P. Driver	174.	Gasket, B.P.R.V. Flange
55.	Spring, Bearing Equalizing	115.	Shaft, Drive	175.	Flange, B.P.R.V. Blank
56.	Piston, Control	116.	Spacer, Coupling	176.	Plug, H.P.R.V.
57.	Ring, Piston	117.	Washer, Bearing Lock	177.	Filter, Oil
58.	Bearing, Thrust	118.	Seal, Shaft Oil	178.	Valve, Flow Control
59.	Sleeve, Control	119.	Nut, Bearing Lock	179.	Gage, Change Indicator
60.	Seal, Control Oil	120.	Bearing, Front Shaft		

*Parts 49 and 50 furnished only as a complete assembly.

NOTE: When ordering parts be sure to give serial number of pump.