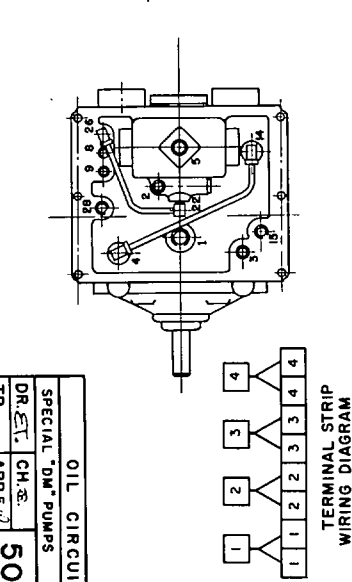
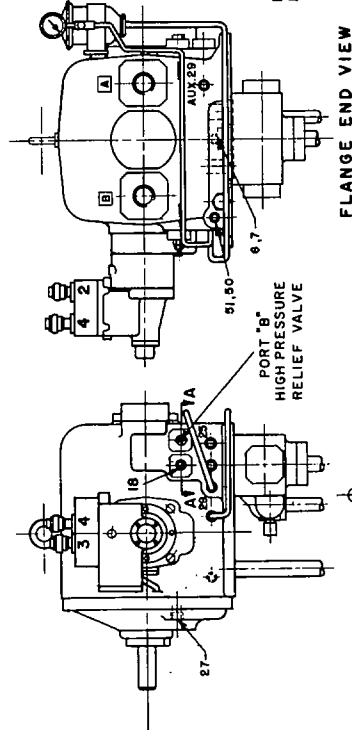
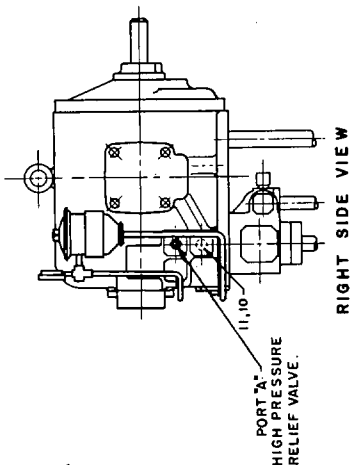


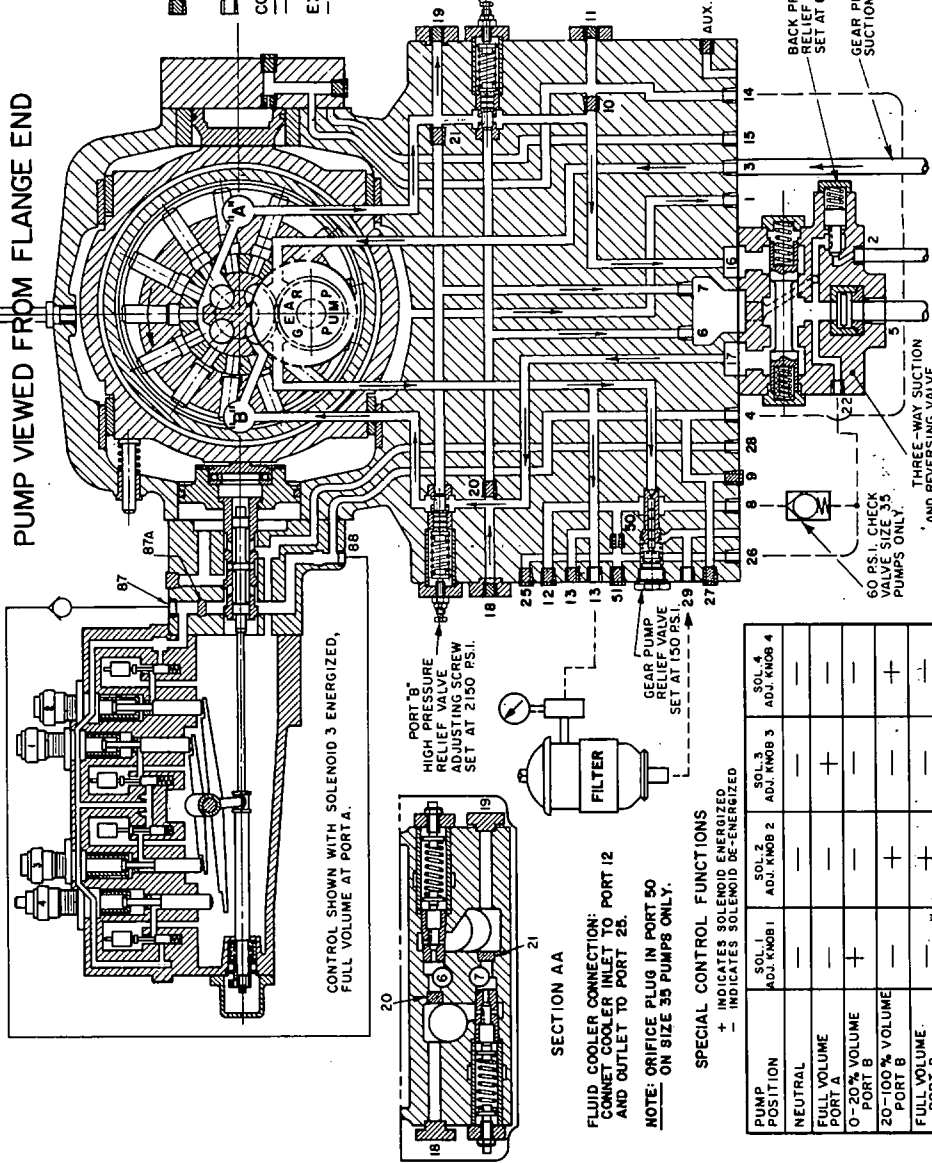
OILGEAR SPECIAL TYPE "DM" VARIABLE DELIVERY PUMPS



OIL CIRCUIT
SPECIAL "DM" PUMPS
DR. E. L. CHASE
TR. APPEL
501903-C
MFG.



- PLUGGED PORTS
- OPEN PORTS
- CORED PASSAGES
- EXTERNAL PIPING FURNISHED



PORT DATA AND PIPE TAP SIZES

PORT	PORT DESCRIPTION	A	B	12	20	35	60	100	150
A	HIGH PRESS. CONN.	3/4	1	1 1/4	1 1/2	2	2 1/2	2 3/4	2 3/4
B	HIGH PRESS. CONN.	3/4	1	1 1/4	1 1/2	2	2 1/2	2 3/4	2 3/4
1	CAGE DRAIN	3/4	1	1 1/4	1 1/2	2	2 1/2	2 3/4	2 3/4
2	EXCESS RETURN EXHAUST	1/2	1/2	3/4	1	1 1/4	1 1/2	1 3/4	1 3/4
3	GEAR PUMP SUCTION	3/4	1	1 1/4	1 1/2	2	2 1/2	2 3/4	2 3/4
4	GEAR PUMP PRESSURE	1/2	1/2	3/4	1	1 1/4	1 1/2	1 3/4	1 3/4
5	GEAR PUMP SUCTION	1/2	1/2	3/4	1	1 1/4	1 1/2	1 3/4	1 3/4
6	"A" RELIEF VALVE EXHAUST	3/8	1/4	1/4	3/4	1	1 1/4	1 1/4	1 1/4
7	"B" RELIEF VALVE EXHAUST	3/8	1/4	1/4	3/4	1	1 1/4	1 1/4	1 1/4
8	GEAR PUMP REL. VLV. EXH.	1/2	1/2	1/2	3/4	3/4	1	1	1
9	GEAR PUMP PRESSURE	1/2	1/2	1/2	3/4	3/4	1	1	1
10	"A" CORE TO CONTROL CONN.	1/4	1/4	1/4	1/2	1/2	3/4	3/4	3/4
11	"A" SIDE CONTROL CONN.	3/8	3/8	3/8	3/4	3/4	3/4	3/4	3/4
12	GEAR PUMP REL. VLV. EXH.	1/2	1/2	1/2	3/4	3/4	3/4	3/4	3/4
13	GEAR PUMP PRESSURE	1/2	1/2	1/2	3/4	3/4	3/4	3/4	3/4
14	"A" SIDE CONTROL CONN.	1/4	1/4	1/4	1/2	1/2	3/4	3/4	3/4
15	"A" SIDE CONTROL CONN.	3/8	3/8	3/8	3/4	3/4	3/4	3/4	3/4
16	"A" CORE SIZE	7/8	1 1/8	1 1/8	1 1/2	1 1/2	1 1/2	1 1/2	1 1/2
17	"B" CORE SIZE	7/8	1 1/8	1 1/8	1 1/2	1 1/2	1 1/2	1 1/2	1 1/2
18	"B" CORE CONNECTION	3/8	3/8	3/8	3/8	3/8	3/8	3/8	3/8
19	"A" REL. VLV. GROSS CONN.	1/4	1/4	1/4	3/8	3/8	3/8	3/8	3/8
20	"B" REL. VLV. GROSS CONN.	1/4	1/4	1/4	3/8	3/8	3/8	3/8	3/8
21	"B" REL. VLV. GROSS CONN.	1/4	1/4	1/4	3/8	3/8	3/8	3/8	3/8
22	STANDARD SUPERCHARGE	3/8	3/8	3/8	3/8	3/8	3/8	3/8	3/8
25	AUXILIARY CONNECTION	1/2	1/2	1/2	3/4	3/4	3/4	3/4	3/4
26	AUXILIARY CONNECTION	3/8	3/8	3/8	3/4	3/4	3/4	3/4	3/4
27	GEAR PUMP PRESSURE	1/2	1/2	1/2	3/4	3/4	3/4	3/4	3/4
28	"B" SIDE CONTROL EXH.	3/8	3/8	3/8	3/4	3/4	3/4	3/4	3/4
29	OIL FILTER DRAIN	—	—	—	—	—	—	—	—
30	GEAR PUMP REL. VLV. EXH.	—	—	—	—	—	—	—	—
31	ACCESS TO PORT 50	—	—	—	—	—	—	—	—
32	BLANK FLANGE UNLESS OTHERWISE SPECIFIED	—	—	—	—	—	—	—	—

LITHO IN U.S.A. 501903-C

REISSUED- JULY 1968

THE OILGEAR COMPANY
MILWAUKEE, WISCONSIN, U.S.A. 53204

DS-947284-C