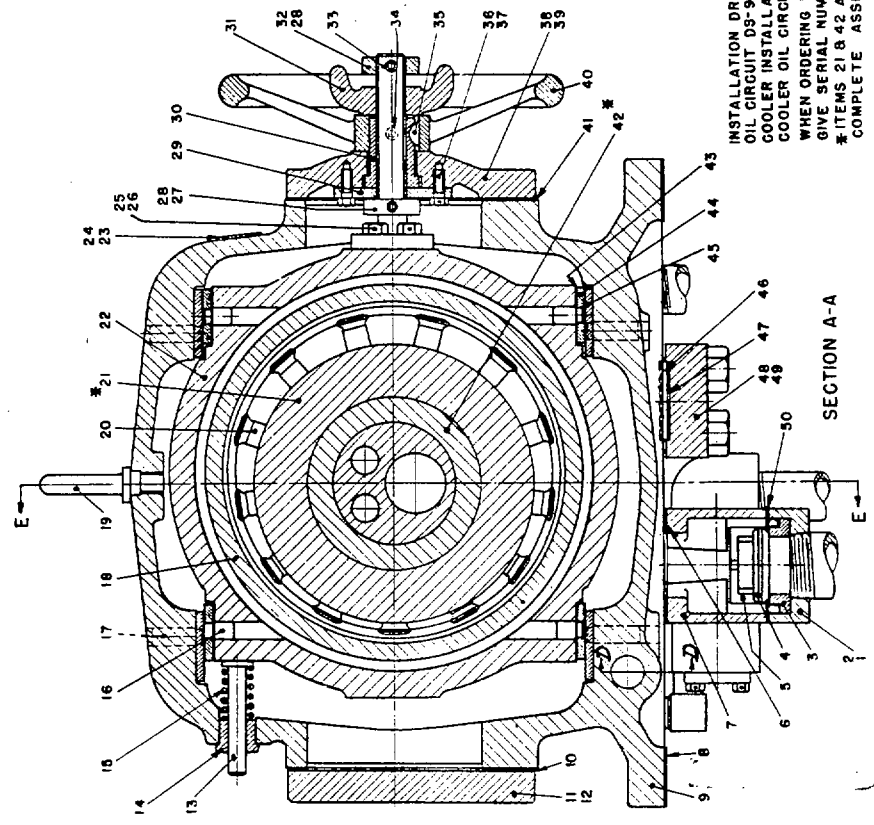
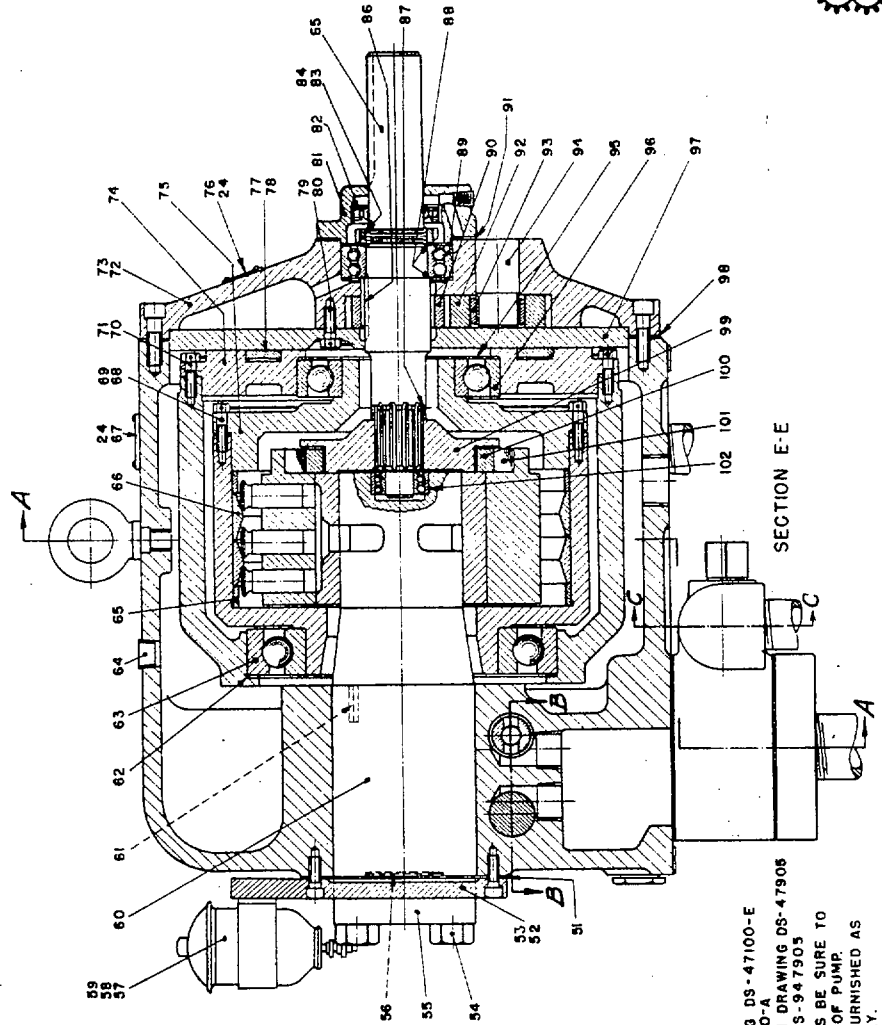
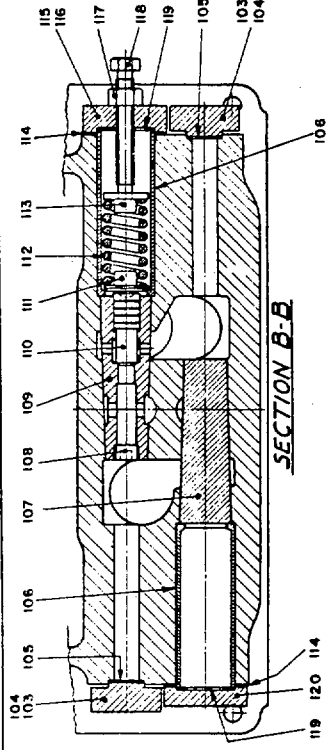
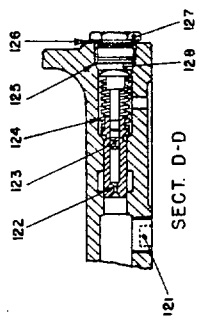
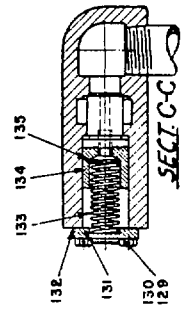


TYPE "DS" PUMPS



51719-C



INSTALLATION DRAWING DS-47100-E
 OIL CIRCUIT DS-947100-A
 COOLER INSTALLATION DRAWING DS-47905
 COOLER OIL CIRCUIT DS-947905
 WHEN ORDERING PARTS BE SURE TO
 GIVE SERIAL NUMBER OF PUMP.
 * ITEMS 21 & 42 ARE FURNISHED AS
 COMPLETE ASSEMBLY.

PRINCE GEORGE
 TYPE DS PUMPS
 51719-C

THE OILGEAR COMPANY
 MILWAUKEE 4, WISCONSIN, U.S.A.

DS-947100-C

REISSUED JAN. 8, 1951

PARTS LIST
OILGEAR "DS" PUMPS

NO.	PARTS	NO.	PARTS	NO.	PARTS
1.	Flange, Suction Valve	46.	Spacer, Flange	91.	Gasket, Housing
2.	Screw, Flange	47.	Gasket, Spacer	92.	Gear, G.P. Driven
3.	Seat, Check Valve	48.	Flange, Blind	93.	Bearing, G.P. Roller
4.	Disc, Check Valve	49.	Screw, Flange	94.	Shaft, Stub
5.	Cage, Check Valve	50.	Gasket, Suction Flange	95.	Shim, Front Rotor Bearing
6.	Gasket, Suction Valve	51.	Gasket, Pintle Cover	96.	Bearing, Front Rotor
7.	Body, Suction Valve	52.	Cover, Pintle	97.	Cover, Gear Pump
8.	Gasket, Oil Reservoir	53.	Screw, Pintle Cover	98.	Gasket, G.P. Housing
9.	Case, Pump	54.	Screw, Flange	99.	Flange, Coupling
10.	Gasket, Control Cylinder Cover	55.	Flange, Connection	100.	Ring, Coupling
11.	Cover, Control Cylinder	56.	Gasket, Flange	101.	Roller, Coupling
12.	Screw, Cover	57.	Filter, Oil	102.	Bearing, Rear Shaft
13.	Stem, Indicator	58.	Valve, Flow Control	103.	Flange, Blind
14.	Bushing, Indicator	59.	Gage, Change Indicator	104.	Screw, Flange
15.	Spring, Indicator	60.	Pintle	105.	Gasket, Flange
16.	Dowel, Slide Block Liner	61.	Key, Pintle	106.	Retainer, Bushing
17.	Dowel, Case Liner	62.	Shim, Rear Rotor Bearing	107.	Plug, Dummy
18.	Rotor	63.	Bearing, Rear Rotor	108.	Plug, Pipe
19.	Eyebolt	64.	Plug, Pipe	109.	Bushing, H.P.R.V.
20.	Piston	65.	Spacer, Thrust Ring	110.	Plunger, H.P.R.V.
21.	Cylinder*	66.	Ring, Thrust	111.	Seat, H.P.R.V. Spring
22.	Slide Block	67.	Nameplate	112.	Spring, H.P.R.V.
23.	Nameplate, Control	68.	Screw, Rotor Cover	113.	Guide, H.P.R.V. Spring
24.	Screw, Drive	69.	Wire, Lock	114.	Gasket, Cap
25.	Screw, Cap	70.	Screw, Slide Block Cover	115.	Cap, H.P.R.V.
26.	Wire, Lock	71.	Wire, Lock	116.	Screw, Cap
27.	Collar, Stop	72.	Housing, Gear Pump	117.	Nut, Lock
28.	Pin, Taper	73.	Screw, Housing	118.	Screw, H.P.R.V. Adjusting
29.	Plate, Control Nut	74.	Cover, Slide Block	119.	Shim, Bushing Retainer
30.	Nut, Control Adj.	75.	Cover, Rotor	120.	Cap, Blind
31.	Nut, Lock	76.	Plate, Rotation Direction	121.	Plug, Pipe
32.	Collar, Stop	77.	Ring, Slide Block Spacer	122.	Plunger, G.P.R.V.
33.	Screw, Control	78.	Shim, Slide Block Spacer	123.	Plunger, G.P.R.V. Dashpot
34.	Screw, Retaining	79.	Screw, Gear Pump Cover	124.	Spring, G.P.R.V.
35.	Key, Woodruff	80.	Gasket, Screw	125.	Shim, G.P.R.V.
36.	Screw, Retaining Plate	81.	Housing, Oil Seal	126.	Gasket, G.P.R.V. Cap
37.	Wire, Lock	82.	Seal, Drive Shaft Oil	127.	Cap, G.P.R.V.
38.	Cover, Control	83.	Nut, Bearing Lock	128.	Spacer, G.P.R.V.
39.	Screw, Cover	84.	Washer, Lock	129.	Screw, B.P.R.V. Cap
40.	Handwheel	85.	Shaft, Drive	130.	Wire, Lock
41.	Gasket, Control Cover	86.	Key, G.P. Driver	131.	Cap, B.P.R.V.
42.	Bushing, Cylinder*	87.	Spacer, Coupling	132.	Gasket, Cap
43.	Shim, Slide Block Liner	88.	Shim, Front Shaft Bearing	133.	Spring, B.P.R.V.
44.	Liner, Slide Block	89.	Bearing, Front Shaft	134.	Plunger, B.P.R.V.
45.	Liner, Case	90.	Gear, G.P. Driver	135.	Shim, B.P.R.V.

*Parts 21 and 42 furnished only as a complete assembly.

NOTE: When ordering parts be sure to give serial number of pump.